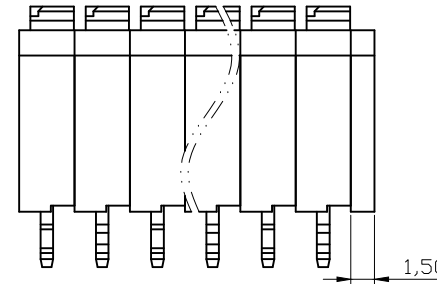
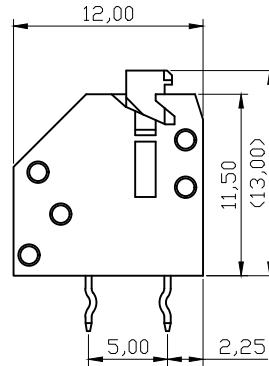
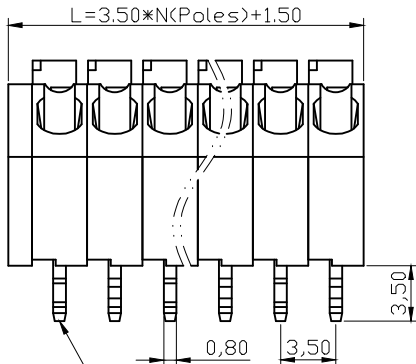
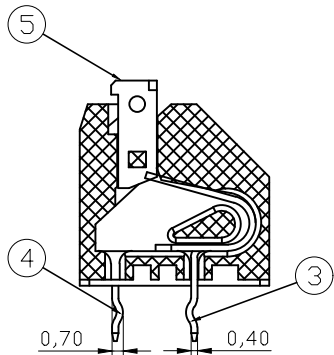
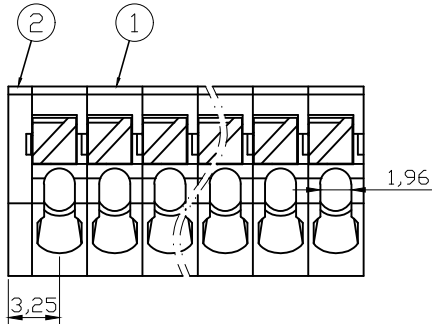


未注线性尺寸公差 Liner dimension tolerances

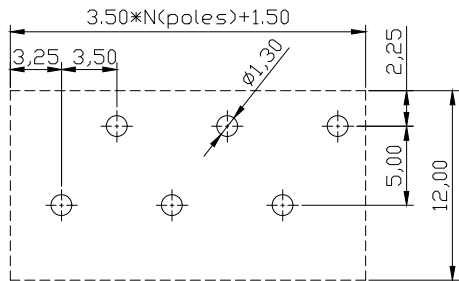
0~6	6~10	>10~30	>30~60	>60~100	>100~160	>160
±0.2	±0.3	±0.5	±0.7	±1.0	±1.3	±1.6

REV	DESCRIPTION	DRW.	DATE
A	RELEASE		



左起第一脚靠前，依次前后交替。

UL 技术参数				
UL Technical Data				
等级	Use Group	B	C	D
额定电压	Rated Voltage [V]	300	/	300
额定电流	Rated Current [A]	5	/	5
耐电压	Withstanding Voltage [V]	AC 1600V/1Min		
IEC 技术参数				
IEC Technical Data				
过压类别	Overvoltage Category	III	III	II
污染等级	Contamination Class	3	2	2
额定电压	Rated Voltage [V]	200	250	400
额定电流	Rated Current [A]	6	6	6
冲击电压	Rate Impulse Voltage [KV]	2.5	2.5	2.5
一般参数 Other Data				
线径范围	Wire Range [AWG/mm <sup>2</sup> ]	20~16/0.5~1.5		
剥线长度	Stripping length [mm]	7~8		
位数范围	Poles	02~24P		
工作温度	Operating temperature [°C]	-40 ~ +105		
螺丝扭矩	Screw / torque(Max) [lbf.in]	/		
环保要求	RoHS Compliant	YES		



PCB LAYOUT

5	Button	PA66	UL94-V0
4	Pin_Header_2	Copper Alloy	SN Plated
3	Pin_Header_1	Copper Alloy	SN Plated
2	Side_Cover	PA66	UL94-V0
1	Housing	PA66	UL94-V0
ITEM	NAME	MATERIAL	NOTES

TYPE CUSTOMER DRAWING 客户图档		PROJECTION					
DRFT	刘秀海	DATE	2026.06.25	UNITS:	MM	TITLE SP1-XX-3.50-00	
CHKD	曾裕辉	DATE	2026.06.25	SCALE:	1:1	DWG NO.	
APPD	陈柏林	DATE	2026.06.25	SHEET	1 OF 1		