

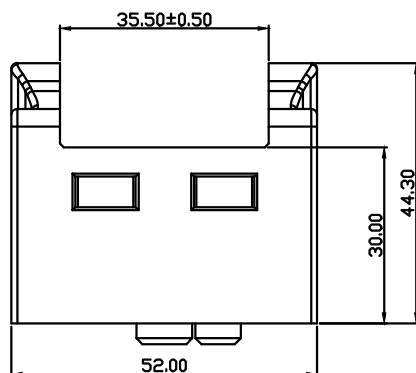
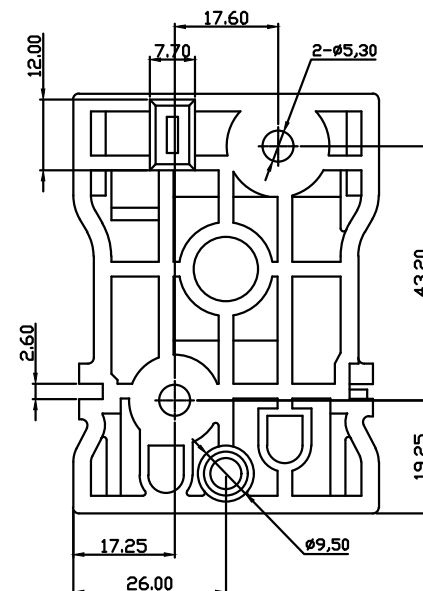
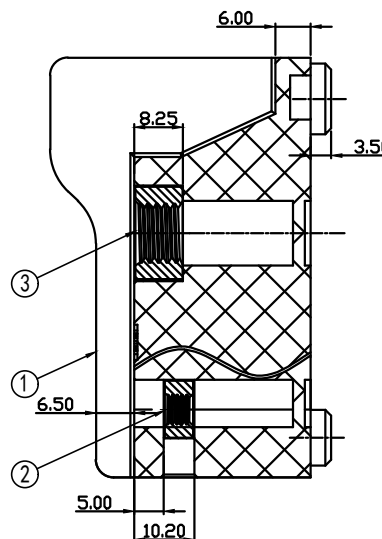
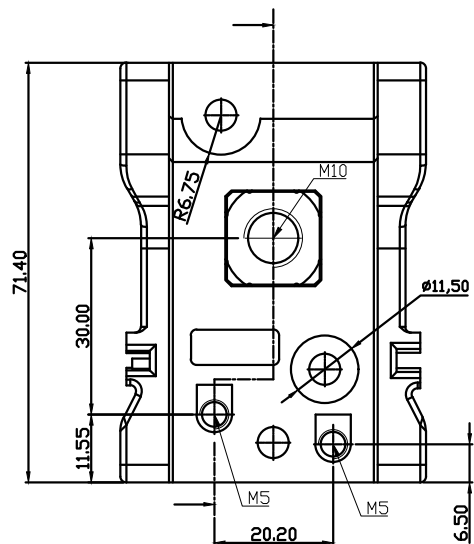
未注线性尺寸公差 Liner dimension tolerances

| | | | | | | |
|------|------|--------|--------|---------|----------|------|
| 0~6 | 6~10 | >10~30 | >30~60 | >60~100 | >100~160 | >160 |
| ±0.2 | ±0.3 | ±0.5 | ±0.7 | ±1.0 | ±1.3 | ±1.6 |

| REV | DESCRIPTION | DRW. | DATE |
|-----|-------------|------|------|
| A | RELEASE | | |

技术参数 Technical Data

| | | | |
|------|-----------------------|----------|------------|
| 螺母扭矩 | Screw torque(Max) | [lbf.in] | M5 / 18 |
| 螺母扭矩 | Screw torque(Max) | [lbf.in] | M10 / 80 |
| 工作温度 | Operating temperature | [°C] | -40 ~ +105 |
| 环保要求 | RoHS Compliant | | YES |



| 3 | Nut_2 | STEEL | Zn Plated |
|------|---------|----------|-----------|
| 2 | Nut_1 | STEEL | Zn Plated |
| 1 | Housing | PA6+GF | UL94-V0 |
| ITEM | NAME | MATERIAL | NOTES |

| | | | | | | | |
|----------------------------------|-----|------------|------------|--------|--------|---------------------------------|--|
| TYPE CUSTOMER DRAWING 客户图档 | | PROJECTION | | | | 赋安连电气 FORANY ELECTRIC | |
| DRFT | 刘秀海 | DATE | 2026.06.20 | UNITS: | MM | TITLE SET350-D | |
| CHKD | 曾裕辉 | DATE | 2026.06.20 | SCALE: | 1:1 | DWG NO. | |
| APPD | 陈柏林 | DATE | 2026.06.20 | SHEET | 1 OF 1 | | |