

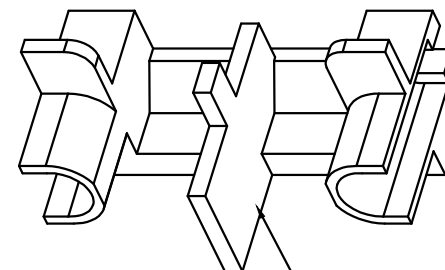
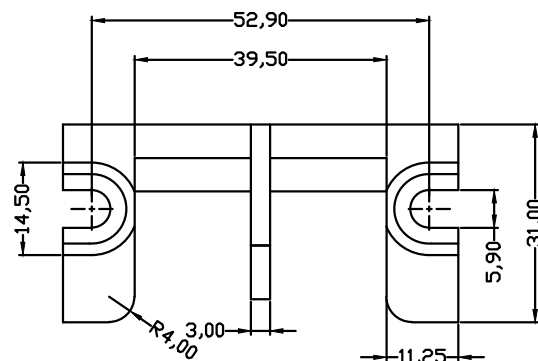
未注线性尺寸公差 Liner dimension tolerances

0~6	6~10	>10~30	>30~60	>60~100	>100~160	>160
±0.2	±0.3	±0.5	±0.7	±1.0	±1.3	±1.6

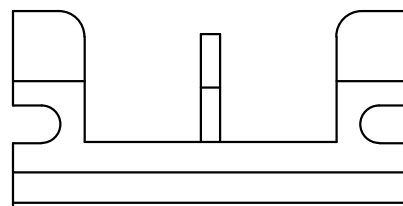
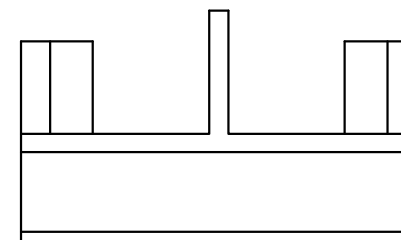
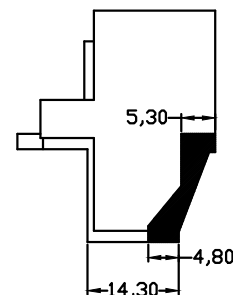
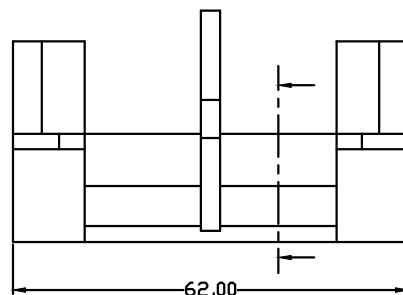
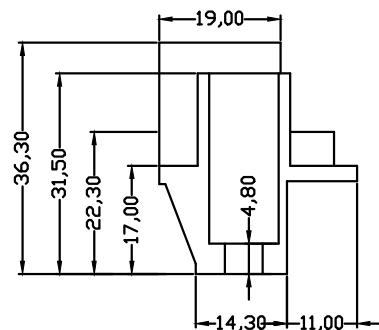
REV	DESCRIPTION	DRW.	DATE
A	RELEASE		

技术参数 Technical Data

螺母扭矩 Screw torque(Max) [lbf.in]	/
螺母扭矩 Screw torque(Max) [lbf.in]	/
工作温度 Operating temperature [°C]	-40 ~ +105
环保要求 RoHS Compliant	YES



无缺口



1	Housing	PBT+GF	UL94-V0
ITEM	NAME	MATERIAL	NOTES

TYPE CUSTOMER DRAWING 客户图档		PROJECTION				赋安连电气 FORANY ELECTRIC	
DRFT	刘秀海	DATE	2026.06.25	UNITS:	MM	TITLE SET180-E	
CHKD	曾裕辉	DATE	2026.06.25	SCALE:	1:1		
APPD	陈柏林	DATE	2026.06.25	SHEET	1 OF 1		
						DWG NO.	