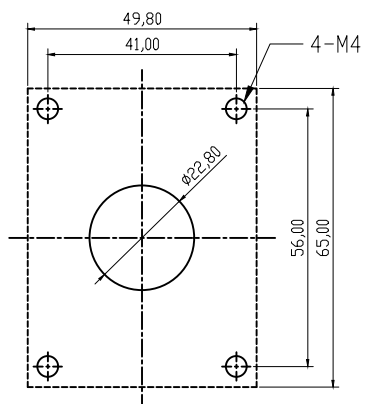
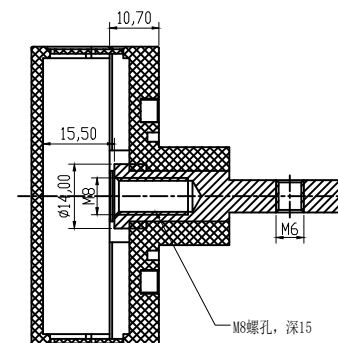
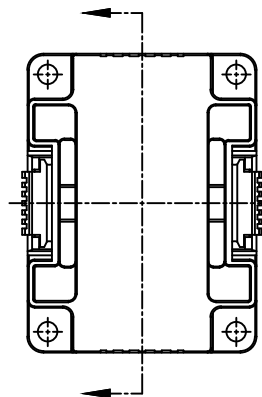
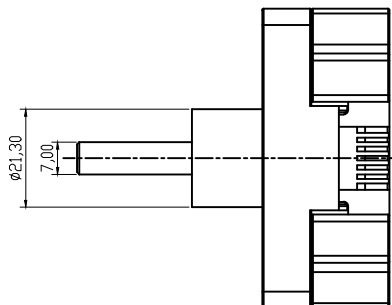
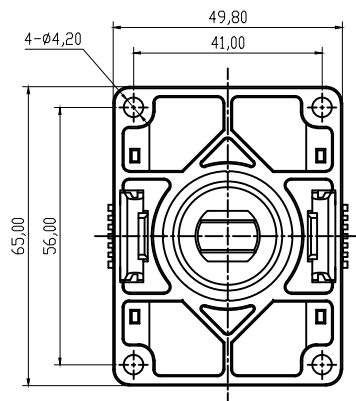
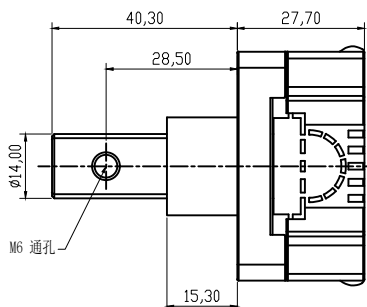
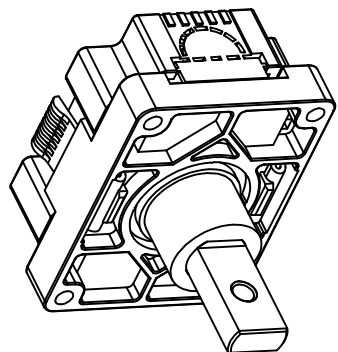


未注线性尺寸公差 Linear dimension tolerances

0~6	6~10	>10~30	>30~60	>60~100	>100~160	>160
±0.2	±0.3	±0.5	±0.7	±1.0	±1.3	±1.6



Hole Dimension

REV	DESCRIPTION	DRW.	DATE
A	RELEASE		

技术参数 Technical Data

使用场景 Usage Environment	IEC (III/3)
额定电压 Rated Voltage [V]	DC 1500
额定电流 Rated Current [A]	300
防护等级 Degree of protection	IP5X
线径范围 Wire Range [AWG/mm <sup>2</sup> ]	00~000 / 120~150
工作温度 Operating temperature [°C]	-40 ~ +105
螺丝扭矩 Screw torque(Max) [N.m]	6 ~ 10
环保要求 RoHS Compliant	YES

3	Contact	Brass	Ni Plated
2	Cover	PA66	UL94-V0
1	Housing	PA66	UL94-V0
ITEM	NAME	MATERIAL	NOTES

TYPE CUSTOMER DRAWING 客户图档		PROJECTION					
DRFT	刘秀海	DATE	2026.06.28	UNITS:	MM	TITLE	
CHKD	曾裕辉	DATE	2026.06.28	SCALE:	1:1	PW150-01-03-C	
APPD	陈柏林	DATE	2026.06.28	SHEET	1 OF 1	DWG NO.	