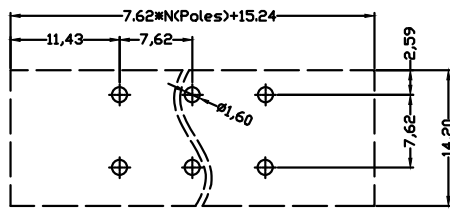
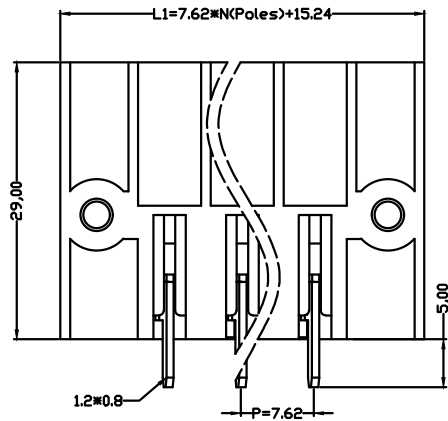
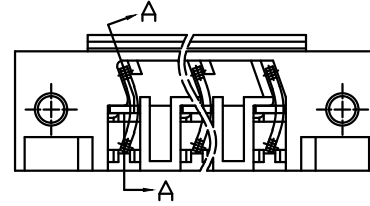
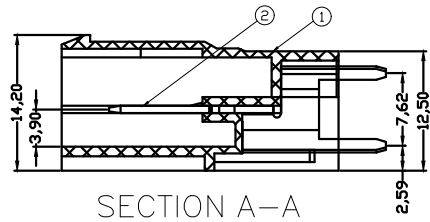
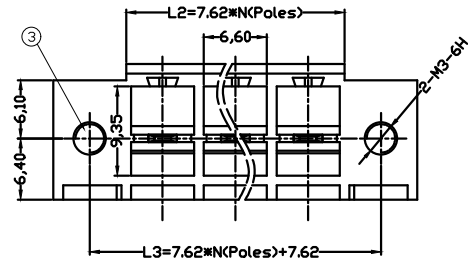


未注线性尺寸公差 Liner dimension tolerances

|      |      |        |        |         |          |      |
|------|------|--------|--------|---------|----------|------|
| 0~6  | 6~10 | >10~30 | >30~60 | >60~100 | >100~160 | >160 |
| ±0.2 | ±0.3 | ±0.5   | ±0.7   | ±1.0    | ±1.3     | ±1.6 |

| REV | DESCRIPTION | DRW. | DATE |
|-----|-------------|------|------|
| A   | RELEASE     |      |      |



PCB layout

|                    |                                   |               |     |     |
|--------------------|-----------------------------------|---------------|-----|-----|
| UL 技术参数            |                                   |               |     |     |
| UL Technical Data  |                                   |               |     |     |
| 等级                 | Use Group                         | B             | C   | D   |
| 额定电压               | Rated Voltage [V]                 | 300           | 300 | /   |
| 额定电流               | Rated Current [A]                 | 30            | 30  | /   |
| 耐电压                | Withstanding Voltage [V]          | AC 2500V/1Min |     |     |
| IEC 技术参数           |                                   |               |     |     |
| IEC Technical Data |                                   |               |     |     |
| 过压类别               | Overvoltage Category              | III           | III | II  |
| 污染等级               | Contamination Class               | 3             | 2   | 2   |
| 额定电压               | Rated Voltage [V]                 | 320           | 400 | 630 |
| 额定电流               | Rated Current [A]                 | 32            | 32  | 32  |
| 冲击电压               | Rate Impulse Voltage [KV]         | 4             | 4   | 4   |
| 一般参数 Other Data    |                                   |               |     |     |
| 线径范围               | Wire Range [AWG/mm <sup>2</sup> ] | /             |     |     |
| 剥线长度               | Stripping length [mm]             | /             |     |     |
| 位数范围               | Poles                             | 02~20P        |     |     |
| 工作温度               | Operating temperature [°C]        | -40 ~ +105    |     |     |
| 螺钉/扭力              | Screw / Torque / lbf.in           | M3/5          |     |     |
| 环保要求               | RoHS Compliant                    | YES           |     |     |

| 3    | Nut        | STEEL    | Ni Plated |
|------|------------|----------|-----------|
| 2    | Pin Header | BRASS    | SN Plated |
| 1    | Housing    | PA66     | UL94-V0   |
| ITEM | NAME       | MATERIAL | NOTES     |

|                                  |     |            |            |              |     |                                 |  |
|----------------------------------|-----|------------|------------|--------------|-----|---------------------------------|--|
| TYPE<br>CUSTOMER DRAWING<br>客户图档 |     | PROJECTION |            |              |     | <b>赋安连电气</b><br>FORANY ELECTRIC |  |
| DRFT                             | 刘秀海 | DATE       | 2026.03.15 | UNITS:       | MM  | TITLE<br>PL6S-XX-7.62-00VF      |  |
| CHKD                             | 曾裕辉 | DATE       | 2026.03.15 | SCALE:       | 1:1 | DWG NO.                         |  |
| APPD                             | 陈柏林 | DATE       | 2026.03.15 | SHEET 1 OF 1 |     |                                 |  |