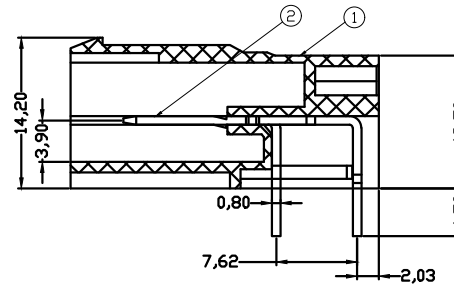
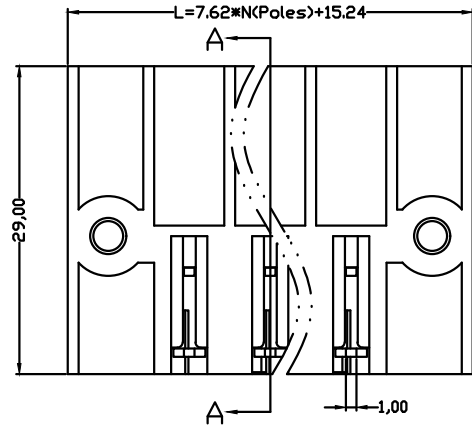
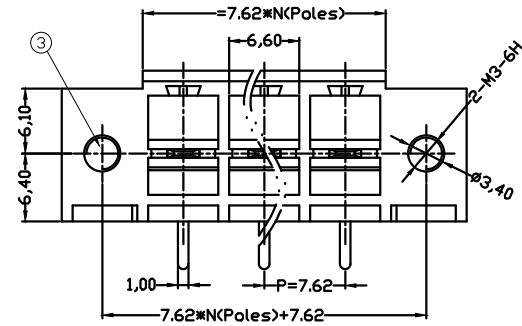
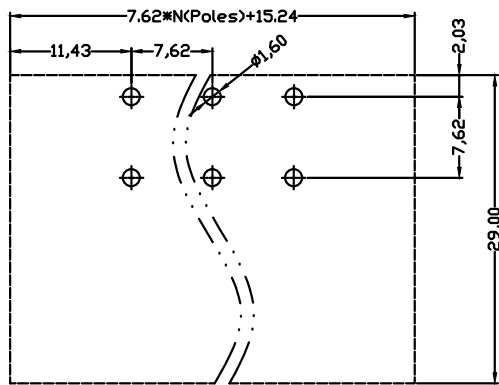


未注线性尺寸公差 Linear dimension tolerances

0~6	6~10	>10~30	>30~60	>60~100	>100~160	>160
±0.2	±0.3	±0.5	±0.7	±1.0	±1.3	±1.6



SECTION A-A



PCB layout

REV	DESCRIPTION	DRW.	DATE
A	RELEASE		

UL 技术参数				
UL Technical Data				
等级 Use Group		B	C	D
额定电压 Rated Voltage [V]		300	300	/
额定电流 Rated Current [A]		30	30	/
耐电压 Withstanding Voltage [V]		AC 2500V/1Min		
IEC 技术参数				
IEC Technical Data				
过压类别 Overvoltage Category		III	III	II
污染等级 Contamination Class		3	2	2
额定电压 Rated Voltage [V]		320	400	630
额定电流 Rated Current [A]		32	32	32
冲击电压 Rate Impulse Voltage [KV]		4	4	4
一般参数 Other Data				
线径范围 Wire Range [AWG/mm ²]		/		
剥线长度 Stripping length [mm]		/		
位数范围 Poles		02~20P		
工作温度 Operating temperature [°C]		-40 ~ +105		
螺钉/扭力 Screw / Torque / lbf.in		M3/5		
环保要求 RoHS Compliant		YES		

3	Nut	STEEL	Ni Plated
2	Pin Header	BRASS	SN Plated
1	Housing	PA66	UL94-V0
ITEM	NAME	MATERIAL	NOTES

TYPE CUSTOMER DRAWING 客户图档		PROJECTION			
DRFT	刘秀海	DATE	2026.03.15	UNITS:	MM
CHKD	曾裕辉	DATE	2026.03.15	SCALE:	1:1
APPD	陈柏林	DATE	2026.03.15	SHEET	1 OF 1

PL6S-XX-7.62-00F	
TITLE	
DWG NO.	