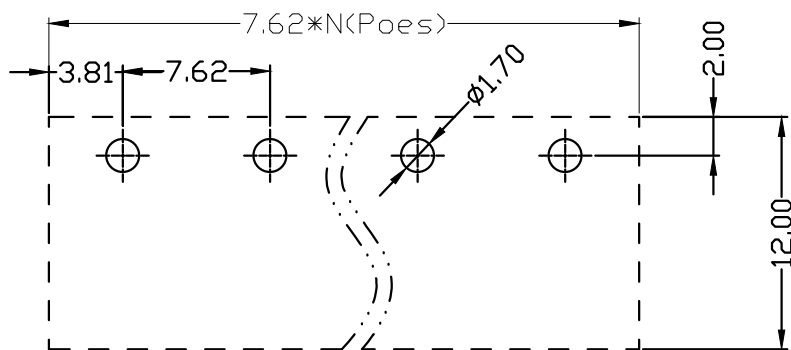
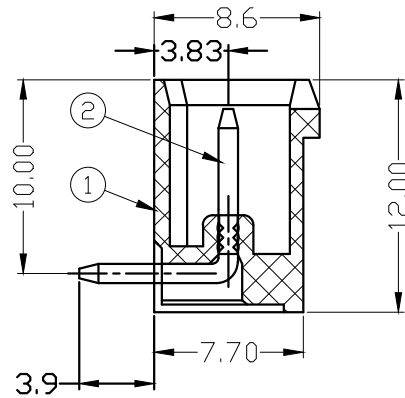
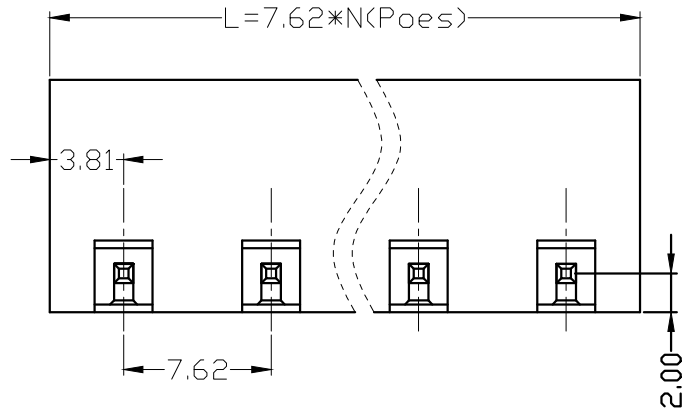
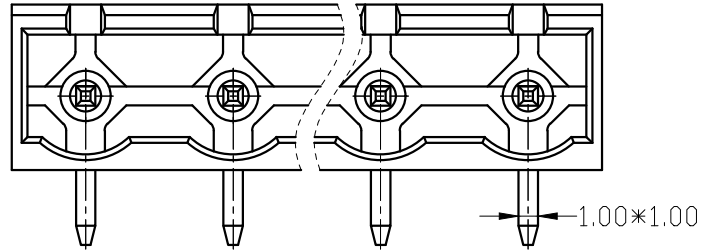


未注线性尺寸公差 Liner dimension tolerances

0~6	6~10	>10~30	>30~60	>60~100	>100~160	>160
±0.2	±0.3	±0.5	±0.7	±1.0	±1.3	±1.6



PCB Layout

REV	DESCRIPTION	DRW.	DATE
A	RELEASE		

UL 技术参数			
UL Technical Data			
等级 Use Group	B	C	D
额定电压 Rated Voltage [V]	300	/	300
额定电流 Rated Current [A]	15	/	10
耐电压 Withstanding Voltage [V]	AC 2500V/1Min		
IEC 技术参数			
IEC Technical Data			
过压类别 Overvoltage Category	III	III	II
污染等级 Contamination Class	3	2	2
额定电压 Rated Voltage [V]	400	630	800
额定电流 Rated Current [A]	20	20	20
冲击电压 Rate Impulse Voltage [KV]	6	6	6
一般参数 Other Data			
线径范围 Wire Range [AWG/mm ²]	/		
剥线长度 Stripping length [mm]	/		
位数范围 Poles	2P~24P		
工作温度 Operating temperature [°C]	-40 ~ +105		
螺钉/扭力 Screw / Torque [lbf.in]	/		
环保要求 RoHS Compliant	YES		

2	Pin Header	BRASS	SN Plated
1	Housing	PA66	UL94-V0
ITEM	NAME	MATERIAL	NOTES

TYPE CUSTOMER DRAWING 客户图档		PROJECTION				赋安连电气 FORANY ELECTRIC	
DRFT	刘秀海	DATE	2026.03.15	UNITS:	MM	TITLE PL2.5S-XX-7.62-00	
CHKD	曾裕辉	DATE	2026.03.15	SCALE:	1:1	DWG NO.	
APPD	陈柏林	DATE	2026.03.15	SHEET	1 OF 1		