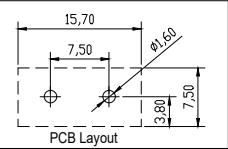
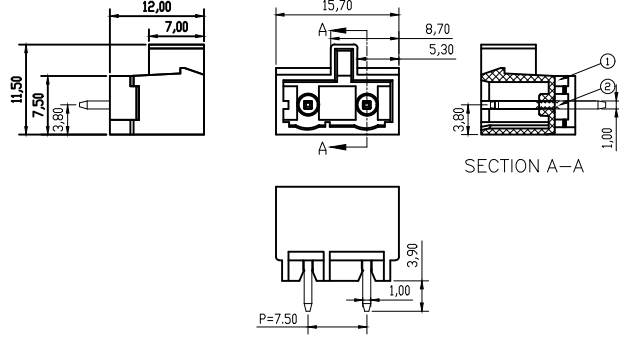


未注线性尺寸公差 Linear dimension tolerances						
0~6	6~10	>10~30	>30~60	>60~100	>100~160	>160
±0.2	±0.3	±0.5	±0.7	±1.0	±1.3	±1.6



REV	DESCRIPTION	DRW.	DATE
1	RELEASE		

UL 技术参数
UL Technical Data

等级 Use Group	B	C	D
额定电压 Rated Voltage	V 300	/	300
额定电流 Rated Current	A 15	/	10
耐受电压 Withstanding Voltage	V AC 2500V	/	Min

IEC 技术参数
IEC Technical Data

过压类别 Overvoltage Category	III	III	II
污染等级 Contamination Class	3	2	2
额定电压 Rated Voltage	V 400	630	800
额定电流 Rated Current	A 15	15	15
耐受电压 Withstanding Voltage	KV 6	6	6

一般参数 Other Data

线径范围 Wire Range (AWG/mm ²)	/
剥线长度 Stripping length (mm)	/
位数范围 Poles	2P
工作温度 Operating temperature (°C)	-40 ~ +105
螺钉/扭力 Screw / Torque (N·m)	/
环保要求 RoHS Compliant	YES

2	Pin Header	BRASS	SN Plated
1	Mounting	PAGE	UL94-V0

ITEM	NAME	MATERIAL	NOTES
------	------	----------	-------

TYPE: CUSTOMER DRAWING
客户图纸

PROJECTION: 第三角投影

UNIT: MM

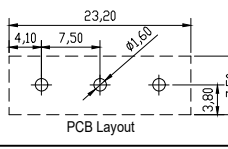
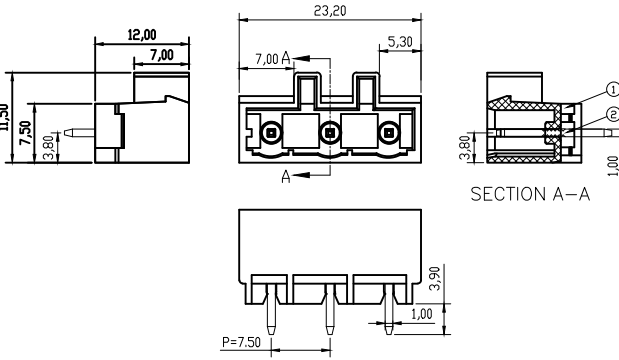
SCALE: 1:1

SHEET 1 OF 1

PL2.5S-02-7.50-00V

FORANY ELECTRIC

未注线性尺寸公差 Linear dimension tolerances						
0~6	6~10	>10~30	>30~60	>60~100	>100~160	>160
±0.2	±0.3	±0.5	±0.7	±1.0	±1.3	±1.6



REV	DESCRIPTION	DRW.	DATE
1	RELEASE		

UL 技术参数
UL Technical Data

等级 Use Group	B	C	D
额定电压 Rated Voltage	V 300	/	300
额定电流 Rated Current	A 10	/	10
耐受电压 Withstanding Voltage	V AC 2500V	/	Min

IEC 技术参数
IEC Technical Data

过压类别 Overvoltage Category	III	III	II
污染等级 Contamination Class	3	2	2
额定电压 Rated Voltage	V 400	630	800
额定电流 Rated Current	A 15	15	15
耐受电压 Withstanding Voltage	KV 6	6	6

一般参数 Other Data

线径范围 Wire Range (AWG/mm ²)	/
剥线长度 Stripping length (mm)	/
位数范围 Poles	3P
工作温度 Operating temperature (°C)	-40 ~ +105
螺钉/扭力 Screw / Torque (N·m)	/
环保要求 RoHS Compliant	YES

2	Pin Header	BRASS	SN Plated
1	Mounting	PAGE	UL94-V0

ITEM	NAME	MATERIAL	NOTES
------	------	----------	-------

TYPE: CUSTOMER DRAWING
客户图纸

PROJECTION: 第三角投影

UNIT: MM

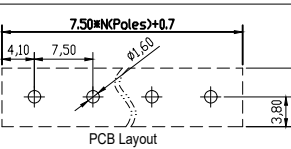
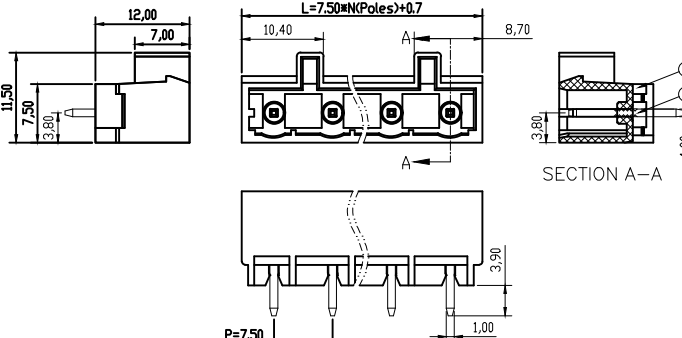
SCALE: 1:1

SHEET 1 OF 1

PL2.5S-03-7.50-00V

FORANY ELECTRIC

未注线性尺寸公差 Linear dimension tolerances						
0~6	6~10	>10~30	>30~60	>60~100	>100~160	>160
±0.2	±0.3	±0.5	±0.7	±1.0	±1.3	±1.6



REV	DESCRIPTION	DRW.	DATE
1	RELEASE		

UL 技术参数
UL Technical Data

等级 Use Group	B	C	D
额定电压 Rated Voltage	V 300	/	300
额定电流 Rated Current	A 15	/	10
耐受电压 Withstanding Voltage	V AC 2500V	/	Min

IEC 技术参数
IEC Technical Data

过压类别 Overvoltage Category	III	III	II
污染等级 Contamination Class	3	2	2
额定电压 Rated Voltage	V 400	630	800
额定电流 Rated Current	A 15	15	15
耐受电压 Withstanding Voltage	KV 6	6	6

一般参数 Other Data

线径范围 Wire Range (AWG/mm ²)	/
剥线长度 Stripping length (mm)	/
位数范围 Poles	4P~14P
工作温度 Operating temperature (°C)	-40 ~ +105
螺钉/扭力 Screw / Torque (N·m)	/
环保要求 RoHS Compliant	YES

2	Pin Header	BRASS	SN Plated
1	Mounting	PAGE	UL94-V0

ITEM	NAME	MATERIAL	NOTES
------	------	----------	-------

TYPE: CUSTOMER DRAWING
客户图纸

PROJECTION: 第三角投影

UNIT: MM

SCALE: 1:1

SHEET 1 OF 1

PL2.5S-XX-7.50-00V (≥4P)

FORANY ELECTRIC