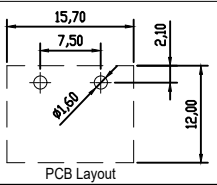
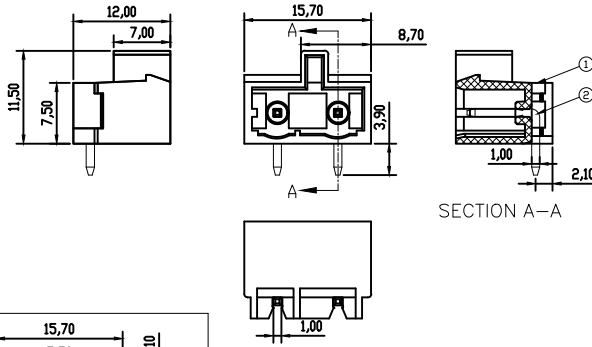


未注线性尺寸公差 Linear dimension tolerances						
0~6	6~10	>10~30	>30~60	>60~100	>100~160	>160
±0.2	±0.3	±0.5	±0.7	±1.0	±1.3	±1.6



REV	DESCRIPTION	DRW.	DATE
A	RELEASE		

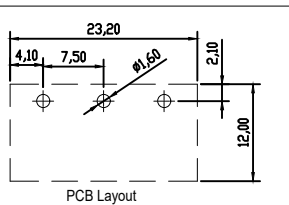
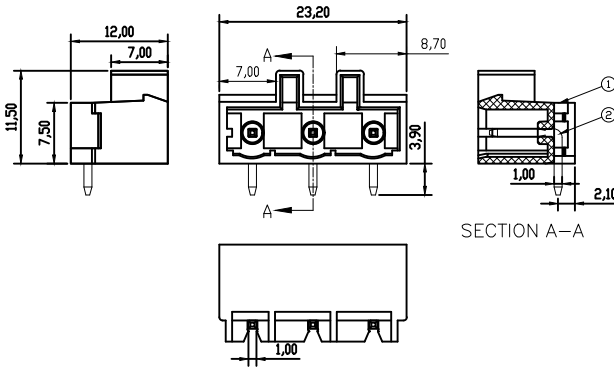
UL 技术参数				
UL Technical Data				
等级	Use Group	B	C	D
额定电压	Rated Voltage [V]	300	/	300
额定电流	Rated Current [A]	15	/	10
耐电压	Withstanding Voltage [V]	AC 2500V/1Min		
IEC 技术参数				
IEC Technical Data				
过压类别	Overvoltage Category	III	III	II
污染等级	Contamination Class	3	2	2
额定电压	Rated Voltage [V]	400	630	800
额定电流	Rated Current [A]	15	15	15
冲击电压	Surge Impulse Voltage [kV]	6	6	6
一般参数 Other Data				
线径范围	Wire Range [AWG/mm ²]	/		
剥线长度	Stripping length [mm]	/		
位数范围	Poles	2P		
工作温度	Operating temperature [°C]	-40 ~ +105		
螺钉/扭力	Screw / Torque [N·m]	/		
环保要求	RoHS Compliant	YES		

2	Pin Header	BRASS	SN Plated
1	Housing	PAGE	UL94-V0
ITEM	NAME	MATERIAL	NOTES

TYPE	CUSTOMER DRAWING	客户图样	PROJECTION	第一角投影	UNITS	MM	TITLE	PL2.5S-02-7.50-00装配图
DRW	刘秀海	DATE	2026.03.15	SCALE	1:1	DRG. NO.		
CHKD	曹智辉	DATE	2026.03.15	SCALE	1:1	DRG. NO.		
APPR	陈彬林	DATE	2026.03.15	SHEET	1 OF 1	DRG. NO.		

赋安连电气
FORANY ELECTRIC

未注线性尺寸公差 Linear dimension tolerances						
0~6	6~10	>10~30	>30~60	>60~100	>100~160	>160
±0.2	±0.3	±0.5	±0.7	±1.0	±1.3	±1.6



REV	DESCRIPTION	DRW.	DATE
A	RELEASE		

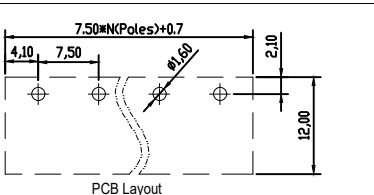
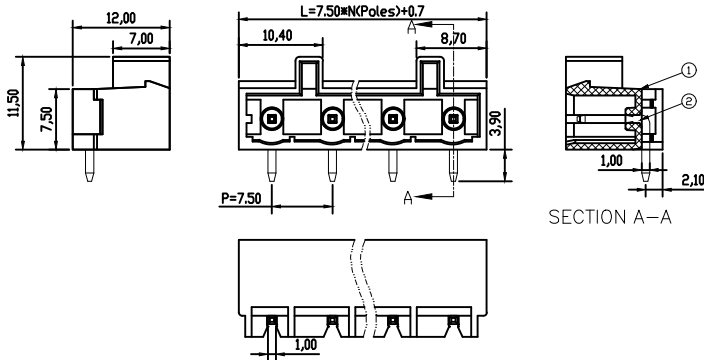
UL 技术参数				
UL Technical Data				
等级	Use Group	B	C	D
额定电压	Rated Voltage [V]	300	/	300
额定电流	Rated Current [A]	15	/	10
耐电压	Withstanding Voltage [V]	AC 2500V/1Min		
IEC 技术参数				
IEC Technical Data				
过压类别	Overvoltage Category	III	III	II
污染等级	Contamination Class	3	2	2
额定电压	Rated Voltage [V]	400	630	800
额定电流	Rated Current [A]	15	15	15
冲击电压	Surge Impulse Voltage [kV]	6	6	6
一般参数 Other Data				
线径范围	Wire Range [AWG/mm ²]	/		
剥线长度	Stripping length [mm]	/		
位数范围	Poles	3P		
工作温度	Operating temperature [°C]	-40 ~ +105		
螺钉/扭力	Screw / Torque [N·m]	/		
环保要求	RoHS Compliant	YES		

2	Pin Header	BRASS	SN Plated
1	Housing	PAGE	UL94-V0
ITEM	NAME	MATERIAL	NOTES

TYPE	CUSTOMER DRAWING	客户图样	PROJECTION	第一角投影	UNITS	MM	TITLE	PL2.5S-03-7.50-00装配图
DRW	刘秀海	DATE	2026.03.15	SCALE	1:1	DRG. NO.		
CHKD	曹智辉	DATE	2026.03.15	SCALE	1:1	DRG. NO.		
APPR	陈彬林	DATE	2026.03.15	SHEET	1 OF 1	DRG. NO.		

赋安连电气
FORANY ELECTRIC

未注线性尺寸公差 Linear dimension tolerances						
0~6	6~10	>10~30	>30~60	>60~100	>100~160	>160
±0.2	±0.3	±0.5	±0.7	±1.0	±1.3	±1.6



REV	DESCRIPTION	DRW.	DATE
A	RELEASE		

UL 技术参数				
UL Technical Data				
等级	Use Group	B	C	D
额定电压	Rated Voltage [V]	300	/	300
额定电流	Rated Current [A]	15	/	10
耐电压	Withstanding Voltage [V]	AC 2500V/1Min		
IEC 技术参数				
IEC Technical Data				
过压类别	Overvoltage Category	III	III	II
污染等级	Contamination Class	3	2	2
额定电压	Rated Voltage [V]	400	630	800
额定电流	Rated Current [A]	15	15	15
冲击电压	Surge Impulse Voltage [kV]	6	6	6
一般参数 Other Data				
线径范围	Wire Range [AWG/mm ²]	/		
剥线长度	Stripping length [mm]	/		
位数范围	Poles	4P~14P		
工作温度	Operating temperature [°C]	-40 ~ +105		
螺钉/扭力	Screw / Torque [N·m]	/		
环保要求	RoHS Compliant	YES		

2	Pin Header	BRASS	SN Plated
1	Housing	PAGE	UL94-V0
ITEM	NAME	MATERIAL	NOTES

TYPE	CUSTOMER DRAWING	客户图样	PROJECTION	第一角投影	UNITS	MM	TITLE	PL2.5S-XX-7.50-00 (>=4P)
DRW	刘秀海	DATE	2026.03.15	SCALE	1:1	DRG. NO.		
CHKD	曹智辉	DATE	2026.03.15	SCALE	1:1	DRG. NO.		
APPR	陈彬林	DATE	2026.03.15	SHEET	1 OF 1	DRG. NO.		

赋安连电气
FORANY ELECTRIC