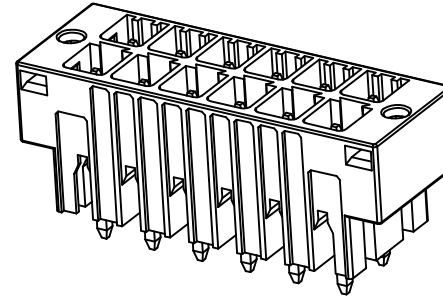
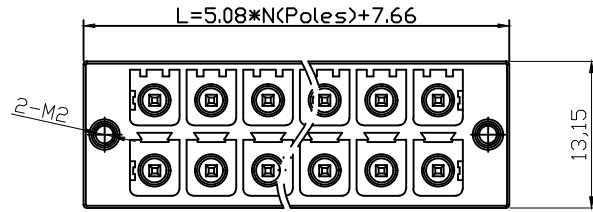


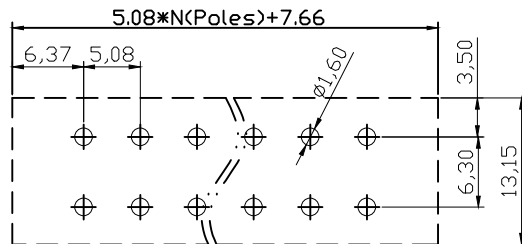
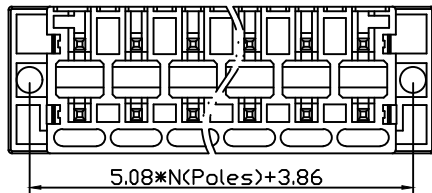
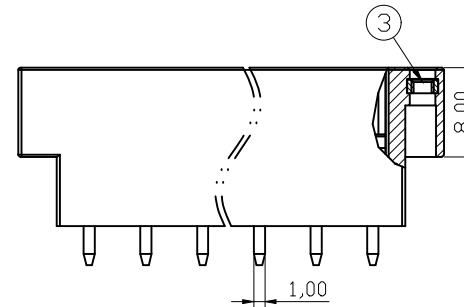
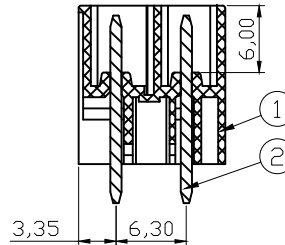
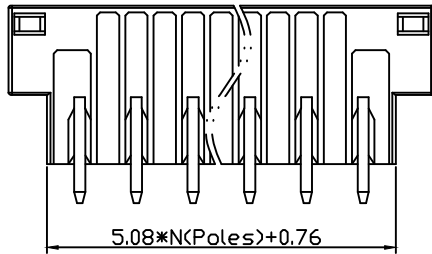
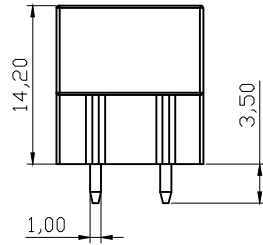
未注线性尺寸公差 Liner dimension tolerances

0~6	6~10	>10~30	>30~60	>60~100	>100~160	>160
±0.2	±0.3	±0.5	±0.7	±1.0	±1.3	±1.6

REV	DESCRIPTION	DRW.	DATE
A	RELEASE		



UL 技术参数			
UL Technical Data			
等级 Use Group	B	C	D
额定电压 Rated Voltage [V]	300	/	300
额定电流 Rated Current [A]	10	/	10
耐电压 Withstanding Voltage [V]	AC 1600V/1Min		
IEC 技术参数			
IEC Technical Data			
过压类别 Overvoltage Category	III	III	II
污染等级 Contamination Class	3	2	2
额定电压 Rated Voltage [V]	250	400	630
额定电流 Rated Current [A]	8	8	8
冲击电压 Rate Impulse Voltage [KV]	4	4	4
一般参数 Other Data			
线径范围 Wire Range [AWG/mm ²]	/		
剥线长度 Stripping length [mm]	/		
位数范围 Poles	02~24P		
工作温度 Operating temperature [°C]	-40 ~ +105		
螺丝扭矩 Screw torque(Max) [lbf.in]	M2/2		
环保要求 RoHS Compliant	YES		



PCB LAYOUT

3	Nut	Steel	ZN Plated
2	Pin	Copper	SN Plated
1	Housing	PA66GF	UL94-V0
ITEM	NAME	MATERIAL	NOTES

TYPE	CUSTOMER DRAWING	PROJECTION		
DRFT	刘秀海	DATE		2026. 3. 15
CHKD	曾裕辉	DATE		2026. 3. 15
APPD	陈柏林	DATE		2026. 3. 15
	客户图档	UNITS: MM	TITLE	
		SCALE: 1:1	PL2.5S-XX-5.08-07VF	
		SHEET 1 OF 1	DWG NO.	



PL2.5S-XX-5.08-07VF