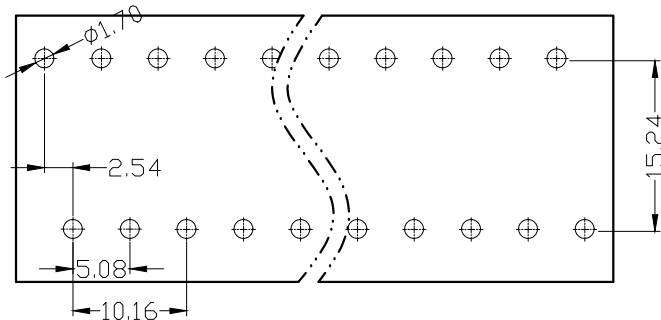
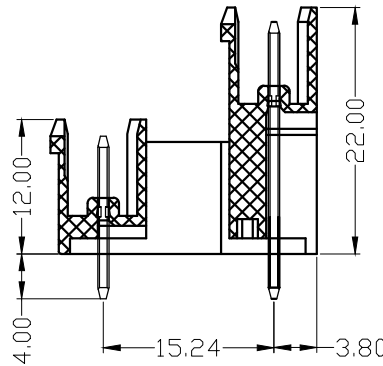
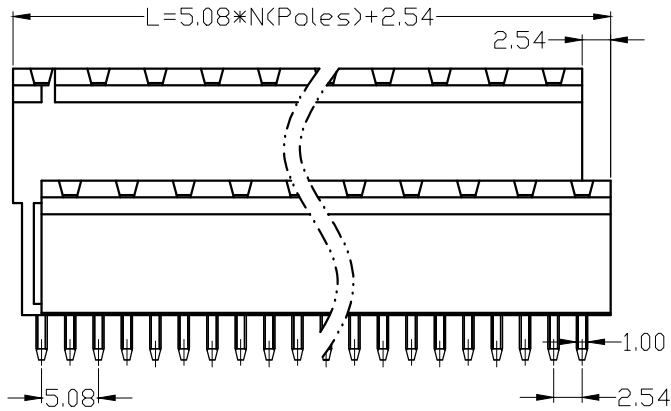
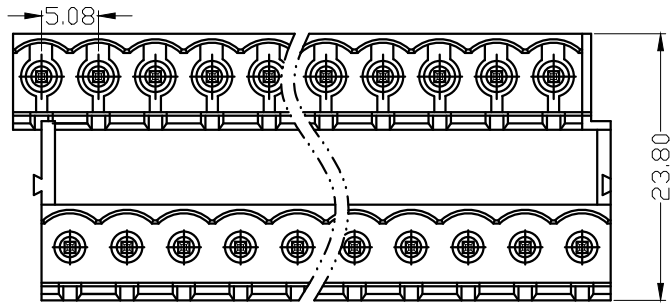


未注线性尺寸公差 Liner dimension tolerances

| | | | | | | |
|------|------|--------|--------|---------|----------|------|
| 0~6 | 6~10 | >10~30 | >30~60 | >60~100 | >100~160 | >160 |
| ±0.2 | ±0.3 | ±0.5 | ±0.7 | ±1.0 | ±1.3 | ±1.6 |



| REV | DESCRIPTION | DRW. | DATE |
|-----|-------------|------|------|
| A | RELEASE | | |

| | | | |
|--------------------|-----------------------------------|---------------|---------|
| UL 技术参数 | | | |
| UL Technical Data | | | |
| 等级 | Use Group | B | C D |
| 额定电压 | Rated Voltage [V] | 300 | / 300 |
| 额定电流 | Rated Current [A] | 15 | / 10 |
| 耐电压 | Withstanding Voltage [V] | AC 2000V/1Min | |
| IEC 技术参数 | | | |
| IEC Technical Data | | | |
| 过压类别 | Overtoltage Category | III | III II |
| 污染等级 | Contamination Class | 3 | 2 2 |
| 额定电压 | Rated Voltage [V] | 250 | 320 630 |
| 额定电流 | Rated Current [A] | 20 | 20 20 |
| 冲击电压 | Rate Impulse Voltage [KV] | 4 | 4 4 |
| 一般参数 Other Data | | | |
| 线径范围 | Wire Range [AWG/mm ²] | / | |
| 剥线长度 | Stripping length [mm] | / | |
| 位数范围 | Poles | -02 ~ 24P | |
| 工作温度 | Operating temperature [°C] | -40 ~ +105 | |
| 螺钉/扭力 | Screw / Torque / lbf.in | / | |
| 环保要求 | RoHS Compliant | YES | |

| 2 | Pin Header | BRASS | SN Plated |
|------|------------|----------|-----------|
| 1 | Housing | PA66 | UL94-V0 |
| ITEM | NAME | MATERIAL | NOTES |

| | | | | | |
|----------------------------------|-----|------------|--------------|--------------|--|
| TYPE CUSTOMER DRAWING 客户图档 | | PROJECTION | | | |
| DRFT | 刘秀海 | DATE | 2026. 03. 15 | UNITS: MM | |
| CHKD | 曾裕辉 | DATE | 2026. 03. 15 | SCALE: 1:1 | |
| APPD | 陈柏林 | DATE | 2026. 03. 15 | SHEET 1 OF 1 | |

| | |
|------------------------------|--|
| | |
| TITLE PL2.5S-XX-5.08-03VK | |
| DWG NO. | |