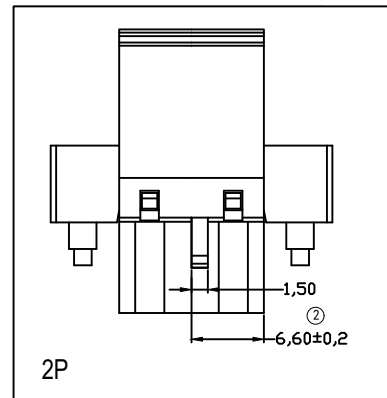
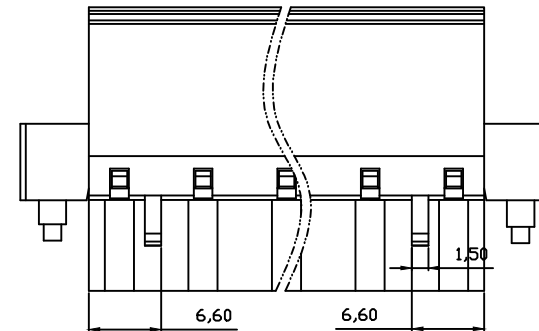
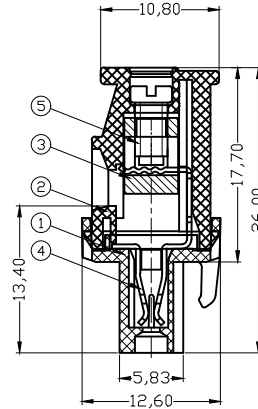
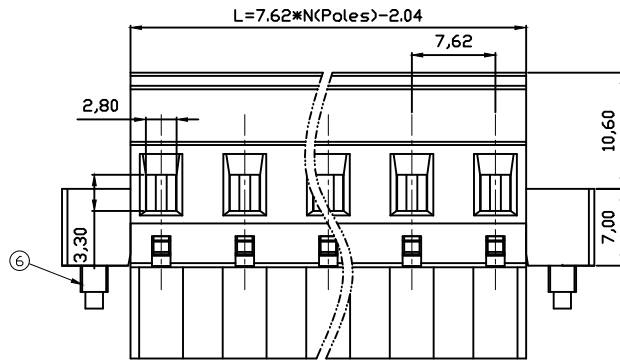
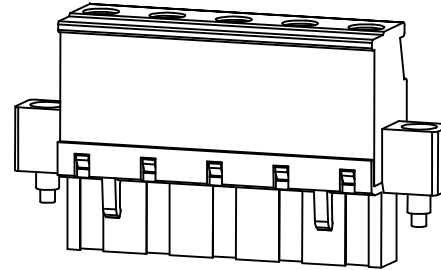
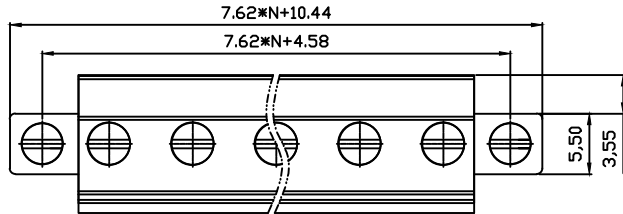


未注线性尺寸公差 Liner dimension tolerances

0~6	6~10	>10~30	>30~60	>60~100	>100~160	>160
±0.2	±0.3	±0.5	±0.7	±1.0	±1.3	±1.6

REV	DESCRIPTION	DRW.	DATE
A	RELEASE		

UL 技术参数			
UL Technical Data			
等级	Use Group	B	C D
额定电压	Rated Voltage [V]	300	/ 300
额定电流	Rated Current [A]	15	/ 10
耐电压	Withstanding Voltage [V]	AC 2500V/1Min	
IEC 技术参数			
IEC Technical Data			
过压类别	Overvoltage Category	III	III II
污染等级	Contamination Class	3	2 2
额定电压	Rated Voltage [V]	400	630 1000
额定电流	Rated Current [A]	18	18 18
冲击电压	Rate Impulse Voltage [KV]	6	6 6
一般参数 Other Data			
线径范围	Wire Range [AWG/mm <sup>2</sup> ]	30~12/0.2~2.5	
剥线长度	Stripping length [mm]	7-9	
位数范围	Poles	02~24P	
工作温度	Operating temperature [°C]	-40 ~ +105	
螺钉/扭力	Screw / Torque / lbf.in	M3/5   M2.5/2	
环保要求	RoHS Compliant	YES	



6	Screw 2	Steel	Zn Plated
5	Screw 1	Steel	Zn Plated
4	Clamp Sheet	Brass	SN Plated
3	Cage	Brass	Ni Plated
2	Housing	PA66	UL94-V0
1	Cover	PA66	UL94-V0
ITEM	NAME	MATERIAL	NOTES

TYPE CUSTOMER DRAWING 客户图档		PROJECTION				<b>赋安连电气</b> FORANY ELECTRIC	
DRFT	刘秀海	DATE	2026.03.15	UNITS:	MM	TITLE PL2.5B-XX-7.62-02F	
CHKD	曾裕辉	DATE	2026.03.15	SCALE:	1:1	DWG NO.	
APPD	陈柏林	DATE	2026.03.15	SHEET	1 OF 1		