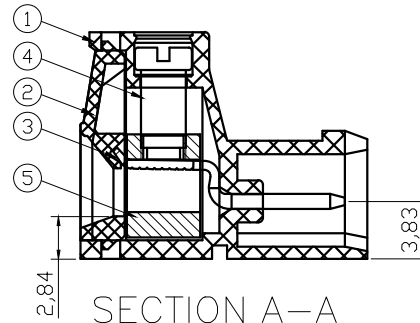
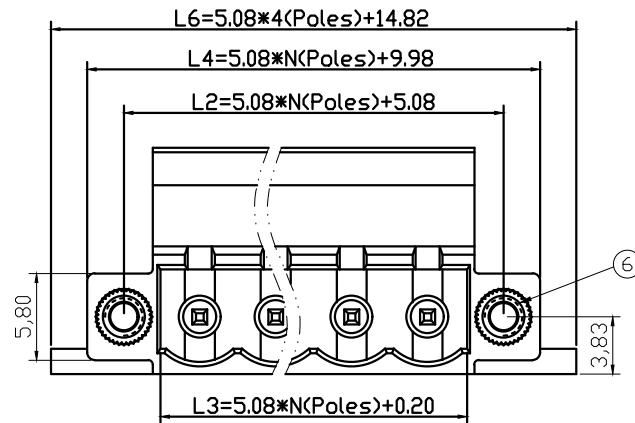
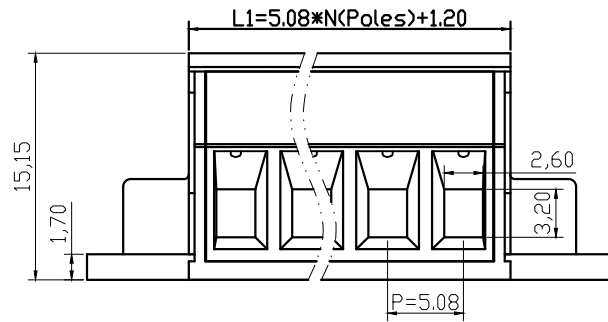
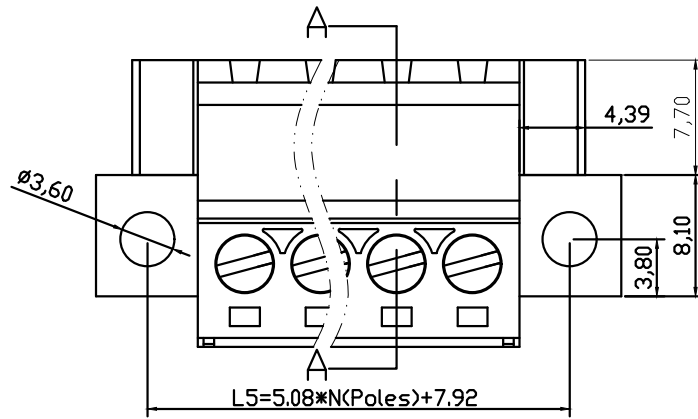


未注线性尺寸公差 Liner dimension tolerances

0~6	6~10	>10~30	>30~60	>60~100	>100~160	>160
±0.2	±0.3	±0.5	±0.7	±1.0	±1.3	±1.6



REV	DESCRIPTION	DRW.	DATE
A	RELEASE		

UL 技术参数				
UL Technical Data				
等级	Use Group	B	C	D
额定电压	Rated Voltage [V]	300	/	300
额定电流	Rated Current [A]	15	/	10
耐电压	Withstanding Voltage [V]	AC 2000V/1Min		
IEC 技术参数				
IEC Technical Data				
过压类别	Overvoltage Category	III	III	II
污染等级	Contamination Class	3	2	2
额定电压	Rated Voltage [V]	250	320	630
额定电流	Rated Current [A]	15	15	15
冲击电压	Rate Impulse Voltage [KV]	4	4	4
一般参数 Other Data				
线径范围	Wire Range [AWG/mm ²]	30~12/0.2~2.5		
剥线长度	Stripping length [mm]	6~8		
位数范围	Poles	02~30P		
工作温度	Operating temperature [°C]	-40 ~ +105		
螺钉/扭力	Screw / Torque /lbf.in	M3/5 M2.5/2		
环保要求	RoHS Compliant	YES		

6	Nut	BRASS	
5	Cage	BRASS	Ni Plated
4	Screw	STEEL	Zn Plated
3	Pin Header	BRASS	SN Plated
2	Cover	PA66	UL94-V0
1	Housing	PA66	UL94-V0
ITEM	NAME	MATERIAL	NOTES

TYPE CUSTOMER DRAWING 客户图档		PROJECTION		UNITS: MM	
DRFT	刘秀海	DATE	2026.03.15	SCALE:	1:1
CHKD	曾裕辉	DATE	2026.03.15	SHEET	1 OF 1
APPD	陈柏林	DATE	2026.03.15		

 赋安连电气 FORANY ELECTRIC	
TITLE PL2.5B-XX-5.08-06E	
DWG NO.	