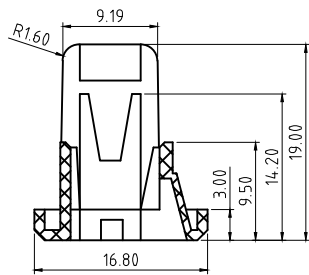
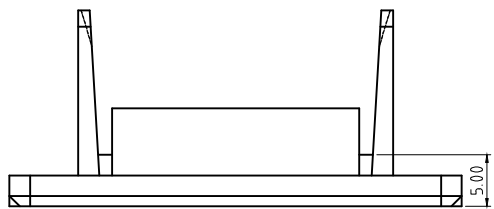
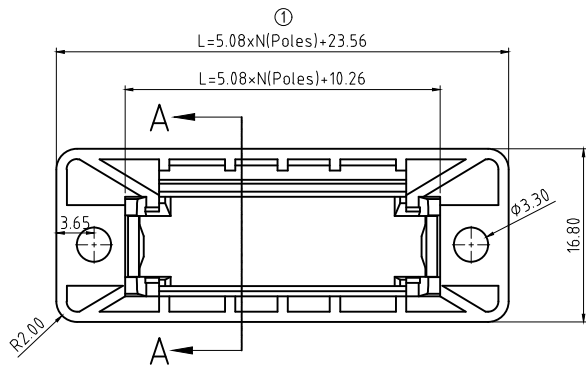
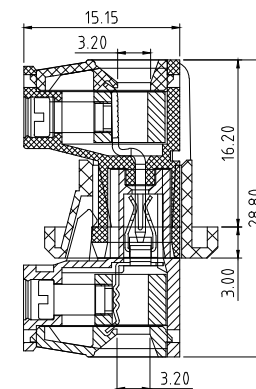
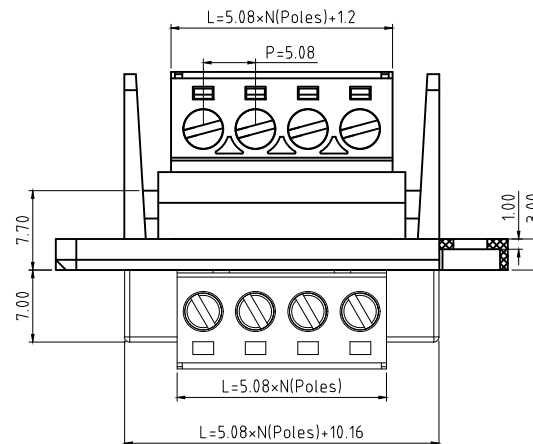
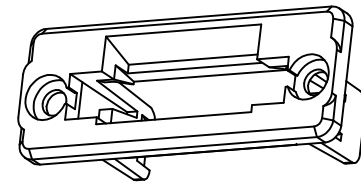
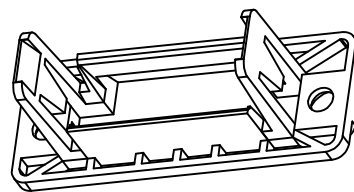
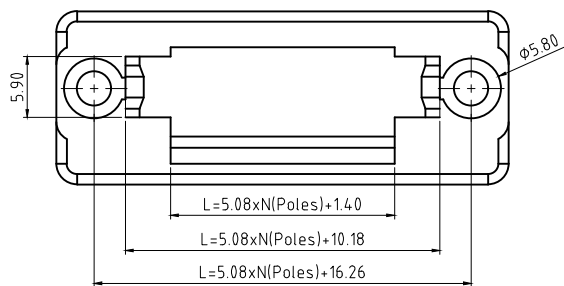


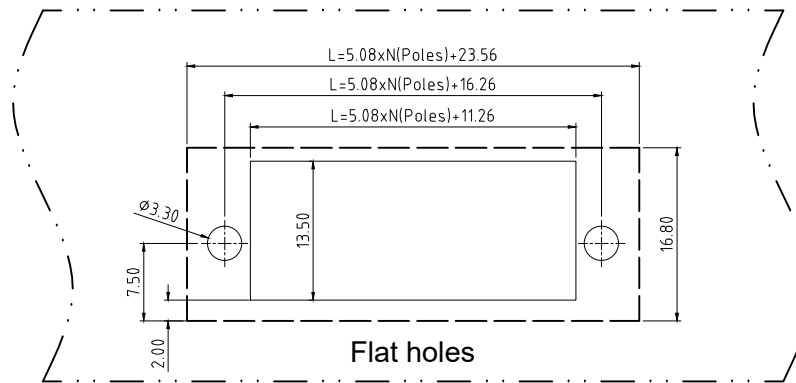
REV	ECN	DESCRIPTION	APP'D
A		RELEASE	



SECTION A-A



配套产品安装图示



Flat holes

技术要求:

1. 外壳应无明显的外观不良。
2. 组合模2-30位，表面晒细沙纹面。
3. 材质：PA66（UL94. V-0）。
4. ⊗ 尺寸都为重点管控检验尺寸。

DIMENSIONS ANSI Y14.5M UNITS: MM Pro/E FILE	TOLERANCES >30 ±0.3 6-30 ±0.2 0-6 ±0.10 ANGLES ±1°	PROJECTION 	FORANY TECH		TITLE PL2.5B-XX-5.08-06BF	
			ENGR 刘秀海 2026.03.15		SIZE B	DWG NO.
ORIGINAL NOT FOR CUSTOMER DISTRIBUTION	THIS DOCUMENT CONTAINS PROPRIETARY INFORMATION WHICH IS THE CONFIDENTIAL PROPERTY OF FORANY TECH CHINA		CHKD 曾裕辉 2026.03.15	APPD 陈柏林 2026.03.15	REV A	SHEET 1 OF 1
			CODE:	SCALE: 1.0		