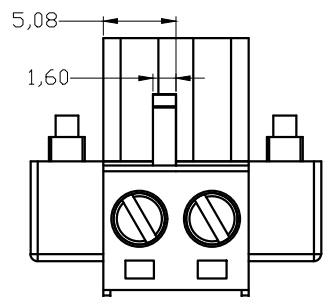


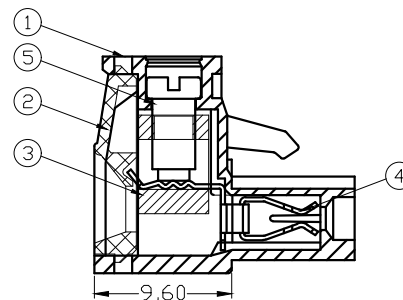
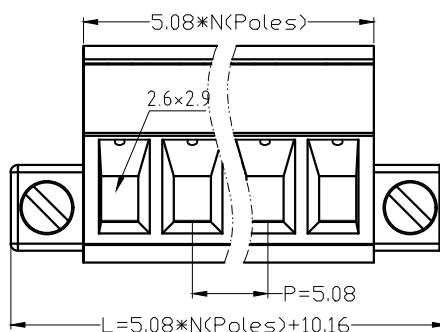
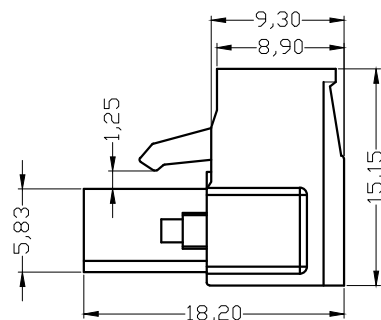
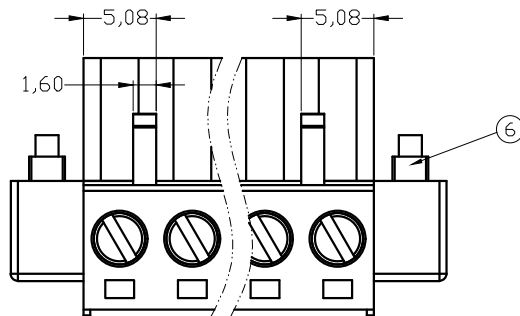
未注线性尺寸公差 Liner dimension tolerances

0~6	6~10	>10~30	>30~60	>60~100	>100~160	>160
±0.2	±0.3	±0.5	±0.7	±1.0	±1.3	±1.6

REV	DESCRIPTION	DRW.	DATE
A	RELEASE		



2P (单爪扣)



UL 技术参数				
UL Technical Data				
等级 Use Group	B	C	D	
额定电压 Rated Voltage [V]	300	/	300	
额定电流 Rated Current [A]	15	/	10	
耐电压 Withstanding Voltage [V]	AC 2000V/1Min			
IEC 技术参数				
IEC Technical Data				
过压类别 Overvoltage Category	III	III	II	
污染等级 Contamination Class	3	2	2	
额定电压 Rated Voltage [V]	250	320	630	
额定电流 Rated Current [A]	18	18	18	
冲击电压 Rate Impulse Voltage [KV]	4	4	4	
一般参数 Other Data				
线径范围 Wire Range [AWG/mm ²]	30~12/0.2~2.5			
剥线长度 Stripping length [mm]	6~8			
位数范围 Poles	02~30P			
工作温度 Operating temperature [°C]	-40 ~ +105			
螺钉/扭力 Screw / Torque / lbf.in	M3/5		M2.5/2	
环保要求 RoHS Compliant	YES			

6	Slide Screw	STEEL	Zn Plated
5	Screw	STEEL	Zn Plated
4	Clamp	Copper alloy	SN Plated
3	Cage	Copper alloy	Ni Plated
2	Cover	PA66	UL94-V0
1	Housing	PA66	UL94-V0
ITEM	NAME	MATERIAL	NOTES

TYPE CUSTOMER DRAWING 客户图档		PROJECTION					
DRFT	DATE	UNITS: MM	TITLE PL2.5B-XX-5.08-00F				
CHKD	DATE	SCALE: 1:1	DWG NO.				
APPD	DATE	SHEET 1 OF 1					