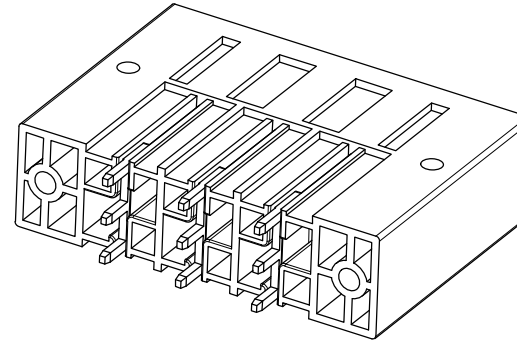
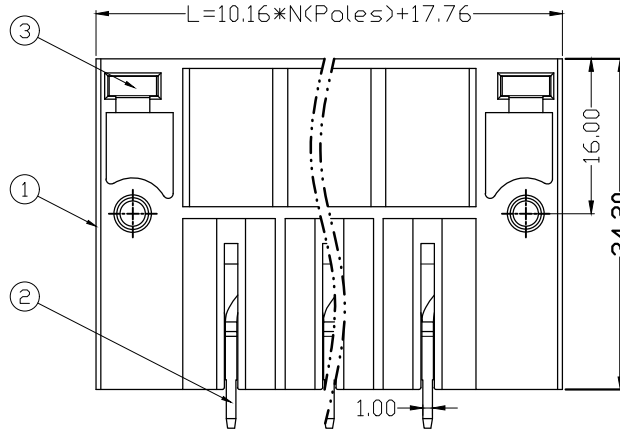
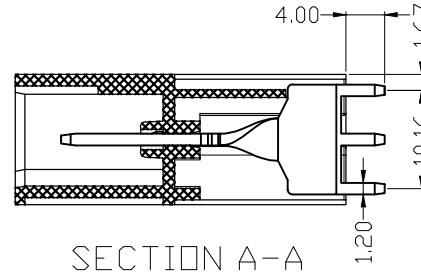
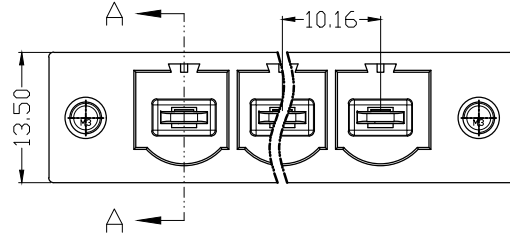
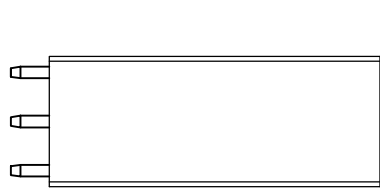


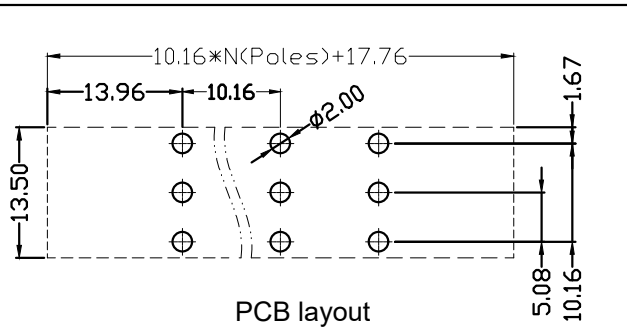
未注线性尺寸公差 Liner dimension tolerances

0~6	6~10	>10~30	>30~60	>60~100	>100~160	>160
±0.2	±0.3	±0.5	±0.7	±1.0	±1.3	±1.6

REV	DESCRIPTION	DRW.	DATE
A	RELEASE	zhangxianke	24.12.27



UL 技术参数				
UL Technical Data				
等级	Use Group	B	C	D
额定电压	Rated Voltage [V]	300	300	300
额定电流	Rated Current [A]	57	57	10
耐电压	Withstanding Voltage [V]	AC 2500V/1Min		
IEC 技术参数				
IEC Technical Data				
过压类别	Overvoltage Category	III	III	II
污染等级	Contamination Class	3	2	2
额定电压	Rated Voltage [V]	600	/	/
额定电流	Rated Current [A]	57	/	/
冲击电压	Rate Impulse Voltage [KV]	6	/	/
一般参数 Other Data				
线径范围	Wire Range [AWG/mm <sup>2</sup> ]	/		
剥线长度	Stripping length [mm]	/		
位数范围	Poles	02~15P		
工作温度	Operating temperature [°C]	-40 ~ +105		
螺钉/扭力	Screw / Torque / lbf.in	M3/5		
环保要求	RoHS Compliant	YES		



PCB layout

3	Nut	Steel	Ni Plated
2	Pin header	Copper alloy	SN Plated
1	Housing	PA66	UL94-V0
ITEM	NAME	MATERIAL	NOTES

TYPE CUSTOMER DRAWING 客户图档	PROJECTION		TITLE
DRFT 张仙可	DATE 2026.03.15	UNITS: MM	FORANY ELECTRIC PL10S-XX-10.16-00VF
CHKD 曾裕辉	DATE 2026.03.15	SCALE: 1:1	
APPD 陈柏林	DATE 2026.03.15	SHEET 1 OF 1	
			DWG NO.