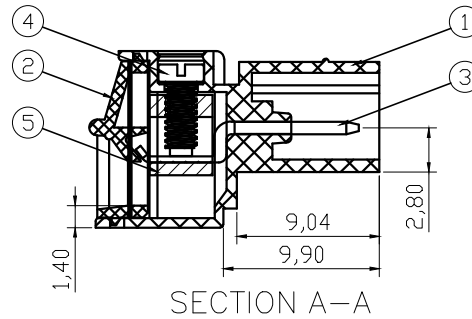
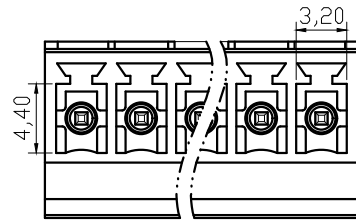
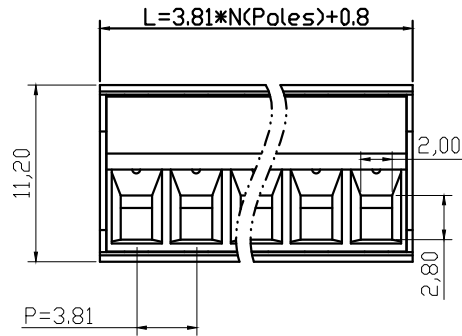
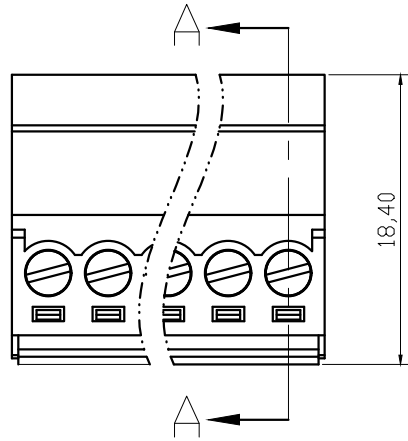


未注线性尺寸公差 Liner dimension tolerances

0~6	6~10	>10~30	>30~60	>60~100	>100~160	>160
±0.2	±0.3	±0.5	±0.7	±1.0	±1.3	±1.6



REV	DESCRIPTION	DRW.	DATE
A	RELEASE		

UL 技术参数 UL Technical Data				
等级	Use Group	B	C	D
额定电压	Rated Voltage [V]	300	/	300
额定电流	Rated Current [A]	8	/	8
耐电压	Withstanding Voltage [V]	AC 1600V/1Min		
IEC 技术参数 IEC Technical Data				
过压类别	Overtoltage Category	III	III	II
污染等级	Contamination Class	3	2	2
额定电压	Rated Voltage [V]	/	160	320
额定电流	Rated Current [A]	/	9	9
冲击电压	Rate Impulse Voltage [KV]	/	2.5	2.5
一般参数 Other Data				
线径范围	Wire Range [AWG/mm <sup>2</sup> ]	28~16/0.2~1.5		
剥线长度	Stripping length [mm]	8-10		
位数范围	Poles	02~26P		
工作温度	Operating temperature [°C]	-40 ~ +105		
螺钉/扭力	Screw / Torque /lbf.in	M2/2		
环保要求	RoHS Compliant	YES		

5	Cage	BRASS	Ni Plated
4	Screw	Steel	Zn Plated
3	Pin	BRASS	SN Plated
2	Cover	PA66	UL94-V0
1	Housing	PA66	UL94-V0
ITEM	NAME	MATERIAL	NOTES

TYPE CUSTOMER DRAWING 客户图档		PROJECTION				赋安连电气 FORANY ELECTRIC	
DRFT	刘秀海	DATE	2026.03.15	UNITS:	MM	TITLE PL1.5B-XX-3.81-06	
CHKD	曾裕辉	DATE	2026.03.15	SCALE:	1:1	DWG NO.	
APPD	陈柏林	DATE	2026.03.15	SHEET 1 OF 1			