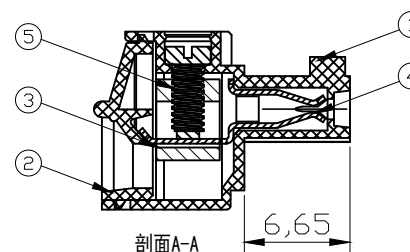
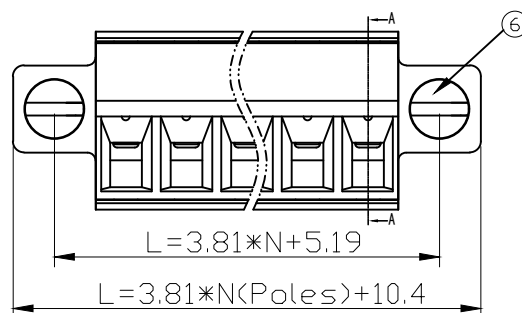
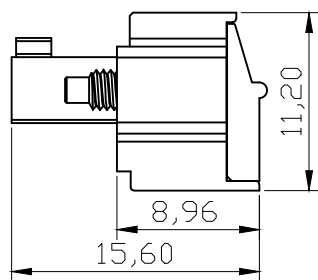
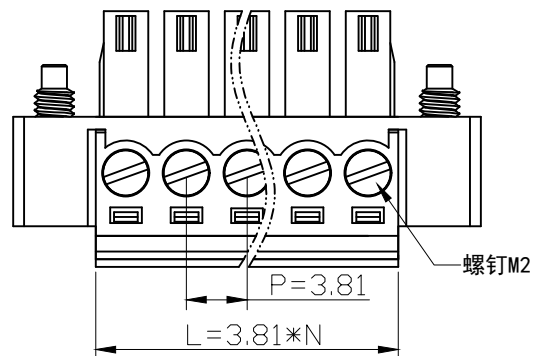


未注线性尺寸公差 Liner dimension tolerances

0~6	6~10	>10~30	>30~60	>60~100	>100~160	>160
±0.2	±0.3	±0.5	±0.7	±1.0	±1.3	±1.6

REV	DESCRIPTION	DRW.	DATE
A	RELEASE		

UL 技术参数 UL Technical Data				
等级 Use Group		B	C	D
额定电压 Rated Voltage [V]		300	/	300
额定电流 Rated Current [A]		8	/	8
耐电压 Withstanding Voltage [V]		AC 1600V/1Min		
IEC 技术参数 IEC Technical Data				
过压类别 Overvoltage Category		III	III	II
污染等级 Contamination Class		3	2	2
额定电压 Rated Voltage [V]		160	160	320
额定电流 Rated Current [A]		9	9	9
冲击电压 Rate Impulse Voltage [KV]		2.5	2.5	2.5
一般参数 Other Data				
线径范围 Wire Range [AWG/mm ²]		28~16/0.2~1.5		
剥线长度 Stripping length [mm]		6~8		
位数范围 Poles		02~24P		
工作温度 Operating temperature [°C]		-40 ~ +105		
螺钉/扭力 Screw / Torque [lbf.in]		M2/2 M2.5/2		
环保要求 RoHS Compliant		YES		



6	Screw 2	STEEL	Zn Plated
5	Screw 1	STEEL	Zn Plated
4	Clamp	Copper alloy	Sn Plated
3	Cage	BRASS	Si Plated
2	Cover	PA66	UL94-V0
1	Housing	PA66	UL94-V0
ITEM	NAME	MATERIAL	NOTES

TYPE CUSTOMER DRAWING 客户图档		PROJECTION				赋安连电气 FORANY ELECTRIC	
DRFT	刘秀海	DATE	2026.03.15	UNITS:	MM	TITLE PL1.5B-XX-3.81-00F	
CHKD	曾裕辉	DATE	2026.03.15	SCALE:	1:1	DWG NO.	
APPD	陈柏林	DATE	2026.03.15	SHEET	1 OF 1		