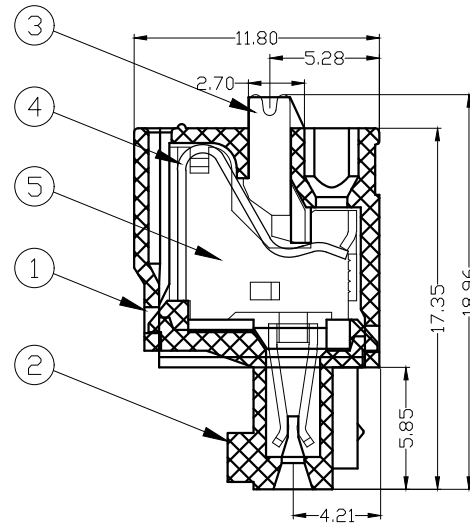
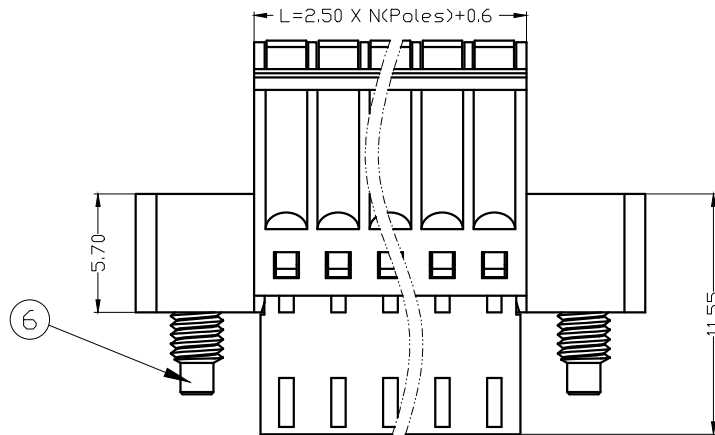
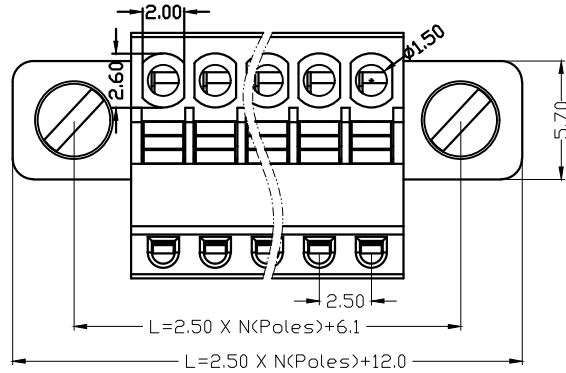


未注线性尺寸公差 Liner dimension tolerances

0~6	6~10	>10~30	>30~60	>60~100	>100~160	>160
±0.2	±0.3	±0.5	±0.7	±1.0	±1.3	±1.6



REV	DESCRIPTION	DRW.	DATE
A	RELEASE		

UL 技术参数				
UL Technical Data				
等级	Use Group	B	C	D
额定电压	Rated Voltage [V]	150	150	150
额定电流	Rated Current [A]	4	4	4
耐电压	Withstanding Voltage [V]	AC 1300V/1Min		
IEC 技术参数				
IEC Technical Data				
过压类别	Overtoltage Category	III	III	II
污染等级	Contamination Class	3	2	2
额定电压	Rated Voltage [V]	/	/	250
额定电流	Rated Current [A]	/	/	5
冲击电压	Rate Impulse Voltage [KV]	/	/	2.5
一般参数 Other Data				
线径范围	Wire Range [AWG/mm ²]	26~20/0.2~0.5		
剥线长度	Stripping length [mm]	6-8		
位数范围	Poles	02~24P		
工作温度	Operating temperature [°C]	-40 ~ +105		
螺钉/扭力	Screw / Torque / lbf.in	/		
环保要求	RoHS Compliant	YES		

6	Screw	STEEL	Zn Plated
5	Clamp	Copper alloy	SN Plated
4	Spring	Stainless steel	/
3	Button	POM	UL94-HB
2	Cover	PA66	UL94-V0
1	Housing	PA66	UL94-V0
ITEM	NAME	MATERIAL	NOTES

TYPE CUSTOMER DRAWING 客户图档		PROJECTION			
DRFT	刘秀海	DATE	2026.03.15	UNITS:	MM
CHKD	曾裕辉	DATE	2026.03.15	SCALE:	1:1
APPD	陈柏林	DATE	2026.03.15	SHEET	1 OF 1

 赋安连电气 FORANY ELECTRIC	
TITLE PL1.5B-XX-2.50-00F	
DWG NO.	