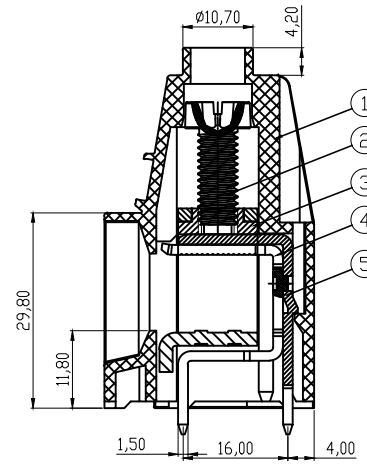
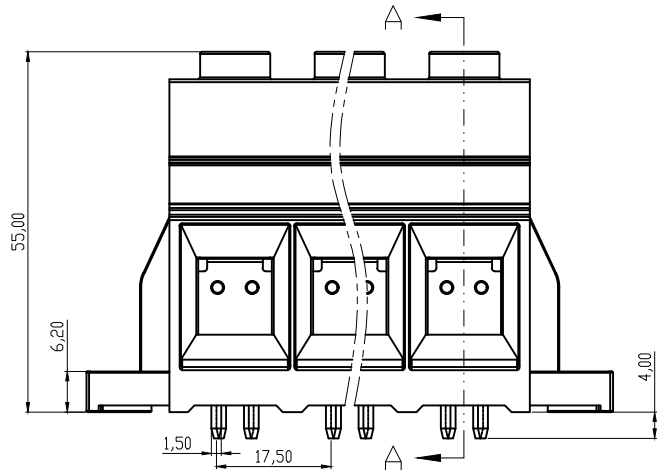
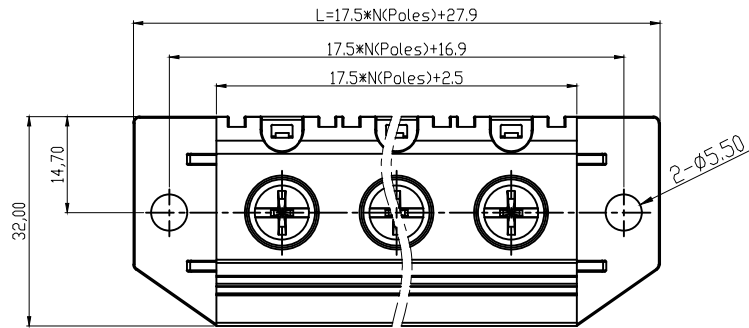
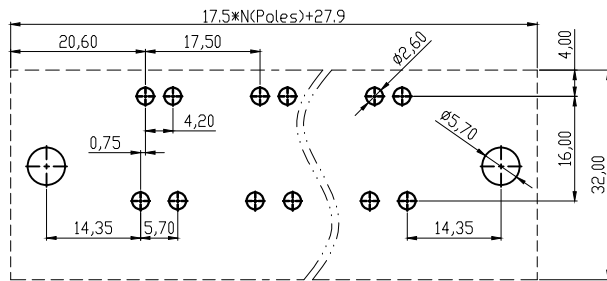


未注线性尺寸公差 Linear dimension tolerances

| | | | | | | |
|------|------|--------|--------|---------|----------|------|
| 0~6 | 6~10 | >10~30 | >30~60 | >60~100 | >100~160 | >160 |
| ±0.2 | ±0.3 | ±0.5 | ±0.7 | ±1.0 | ±1.3 | ±1.6 |



SECTION A-A



PCB Layout

| REV | DESCRIPTION | DRW. | DATE |
|-----|-------------|------|------|
| A | RELEASE | | |

| | | | | |
|--------------------|-----------------------------------|----------------|------|------|
| UL 技术参数 | | | | |
| UL Technical Data | | | | |
| 等级 | Use Group | B | C | D |
| 额定电压 | Rated Voltage [V] | 600 | 600 | / |
| 额定电流 | Rated Current [A] | 160 | 160 | / |
| 耐电压 | Withstanding Voltage [V] | AC 2200V/1Min | | |
| IEC 技术参数 | | | | |
| IEC Technical Data | | | | |
| 过压类别 | Overvoltage Category | III | III | II |
| 污染等级 | Contamination Class | 3 | 2 | 2 |
| 额定电压 | Rated Voltage [V] | 1000 | 1000 | 1000 |
| 额定电流 | Rated Current [A] | 192 | 192 | 192 |
| 冲击电压 | Rate Impulse Voltage [KV] | 8 | 8 | 6 |
| 一般参数 Other Data | | | | |
| 线径范围 | Wire Range [AWG/mm ²] | 16~1/0 /1.5~70 | | |
| 剥线长度 | Stripping length [mm] | 19~20 | | |
| 位数范围 | Poles | 02~12P | | |
| 工作温度 | Operating temperature [°C] | -40 ~ +105 | | |
| 螺钉/扭力 | Screw / Torque /bf.in | M6/45 | | |
| 环保要求 | RoHS Compliant | YES | | |

| 5 | Rear Pin header | Copper alloy | SN Plated |
|------|------------------|--------------|-----------|
| 4 | Front Pin header | Copper alloy | SN Plated |
| 3 | Cage | SPCC | Ni Plated |
| 2 | Screw | Steel | Ni Plated |
| 1 | Housing | PA66 | UL94-V0 |
| ITEM | NAME | MATERIAL | NOTES |

| | | | | | | | |
|----------------------------------|-----|------------|------------|--------|--------|------------------|--|
| TYPE CUSTOMER DRAWING 客户图档 | | PROJECTION | | | | | |
| DRFT | 刘秀海 | DATE | 2026.05.18 | UNITS: | MM | TITLE | |
| CHKD | 曾裕辉 | DATE | 2026.05.18 | SCALE: | 1:1 | EU50-XX-17.5-00F | |
| APPD | 陈柏林 | DATE | 2026.05.18 | SHEET | 1 OF 1 | DWG NO. | |