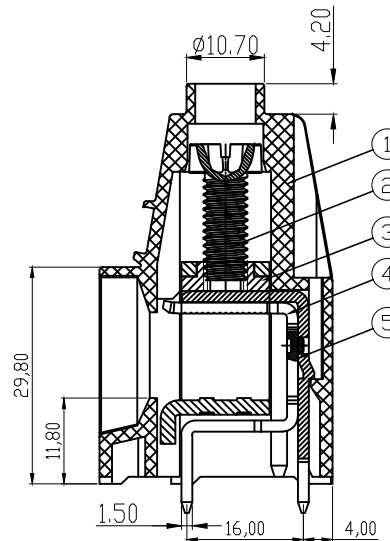
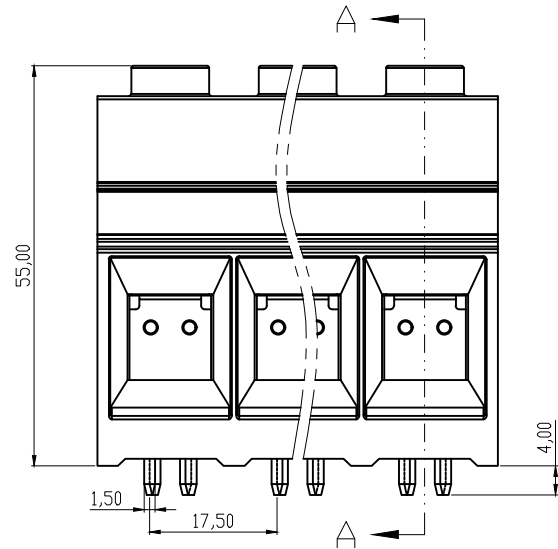
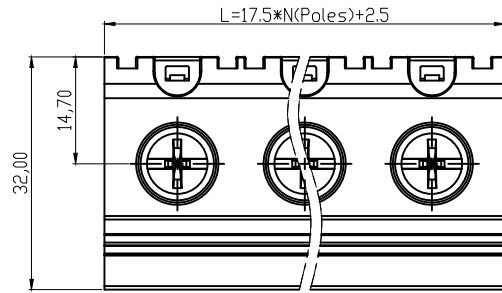
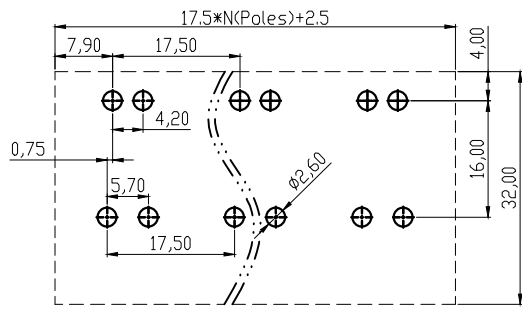


未注线性尺寸公差 Linear dimension tolerances

0~6	6~10	>10~30	>30~60	>60~100	>100~160	>160
±0.2	±0.3	±0.5	±0.7	±1.0	±1.3	±1.6



SECTION A-A



PCB Layout

REV	DESCRIPTION	DRW.	DATE
A	RELEASE		

UL 技术参数				
UL Technical Data				
等级	Use Group	B	C	D
额定电压	Rated Voltage [V]	600	600	/
额定电流	Rated Current [A]	160	160	/
耐电压	Withstanding Voltage [V]	AC 2200V/1Min		
IEC 技术参数				
IEC Technical Data				
过压类别	Overvoltage Category	III	III	II
污染等级	Contamination Class	3	2	2
额定电压	Rated Voltage [V]	1000	1000	1000
额定电流	Rated Current [A]	192	192	192
冲击电压	Rate Impulse Voltage [KV]	8	8	6
一般参数 Other Data				
线径范围	Wire Range [AWG/mm <sup>2</sup> ]	16~1/0 /1.5~170		
剥线长度	Stripping length [mm]	19~20		
位数范围	Poles	02~12P		
工作温度	Operating temperature [°C]	-40 ~ +105		
螺钉/扭力	Screw / Torque / lbf.in	M6/45		
环保要求	RoHS Compliant	YES		

5	Rear Pin header	Copper alloy	SN Plated
4	Front Pin header	Copper alloy	SN Plated
3	Cage	SPCC	Ni Plated
2	Screw	Steel	Ni Plated
1	Housing	PA66	UL94-V0
ITEM	NAME	MATERIAL	NOTES

TYPE CUSTOMER DRAWING 客户图档		PROJECTION					
DRFT	刘秀海	DATE	2026.05.18	UNITS:	MM	TITLE	
CHKD	曾裕辉	DATE	2026.05.18	SCALE:	1:1	EU50-XX-17.5-00	
APPD	陈柏林	DATE	2026.05.18	SHEET	1 OF 1	DWG NO.	