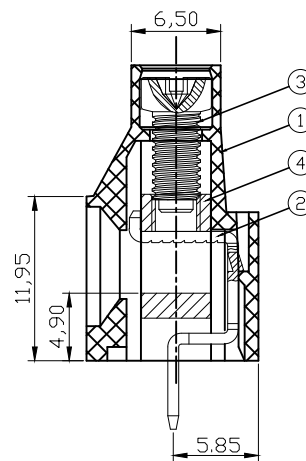
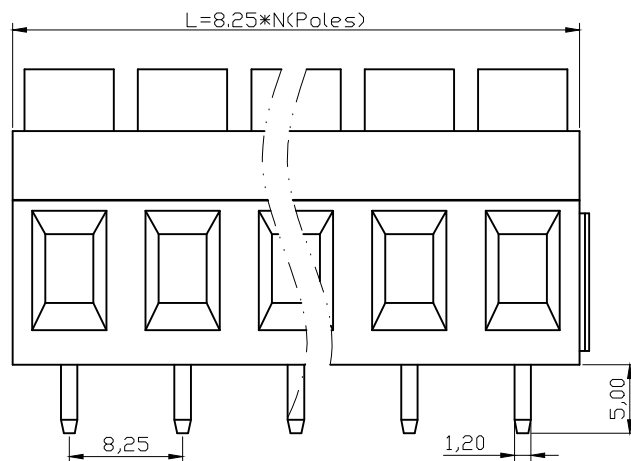
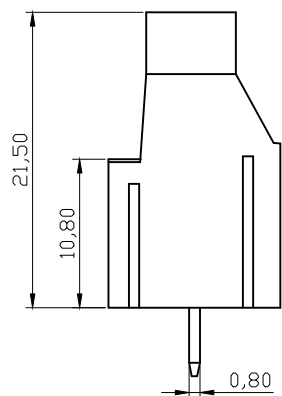
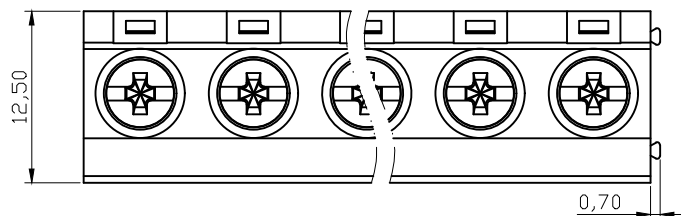


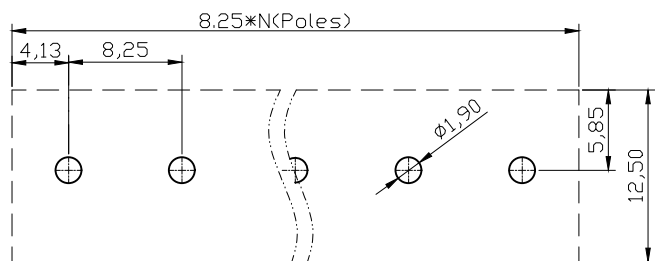
未注线性尺寸公差 Liner dimension tolerances

0~6	6~10	>10~30	>30~60	>60~100	>100~160	>160
±0.2	±0.3	±0.5	±0.7	±1.0	±1.3	±1.6

REV	DESCRIPTION	DRW.	DATE
A	RELEASE		



UL 技术参数				
UL Technical Data				
等级	Use Group	B	C	D
额定电压	Rated Voltage [V]	300	300	300
额定电流	Rated Current [A]	30	30	10
耐电压	Withstanding Voltage [V]	AC 2500V/1Min		
IEC 技术参数				
IEC Technical Data				
过压类别	Overvoltage Category	III	III	II
污染等级	Contamination Class	3	2	2
额定电压	Rated Voltage [V]	500	800	1000
额定电流	Rated Current [A]	32	32	32
冲击电压	Rate Impulse Voltage [KV]	6	6	6
一般参数 Other Data				
线径范围	Wire Range [AWG/mm <sup>2</sup> ]	30~10/0.2~5.0		
剥线长度	Stripping length [mm]	7~8		
位数范围	Poles	02~24P		
工作温度	Operating temperature [°C]	-40 ~ +105		
螺钉/扭力	Screw /Torque /lbf.in	M3. 5/10		
环保要求	RoHS Compliant	YES		



PCB Layout

4	Cage	Brass	NI Plated
3	Screw	Steel	NI Plated
2	Pin Header	Brass	SN Plated
1	Housing	PA66	UL94-V0
ITEM	NAME	MATERIAL	NOTES

TYPE		PROJECTION		
CUSTOMER DRAWING 客户图档				
DRFT	刘秀海	DATE	2026.05.18	UNITS: MM
CHKD	曾裕辉	DATE	2026.05.18	SCALE: 1:1
APPD	陈柏林	DATE	2026.05.18	SHEET 1 OF 1



FORANY ELECTRIC

TITLE EU5-XX-8.25-01

DWG NO.