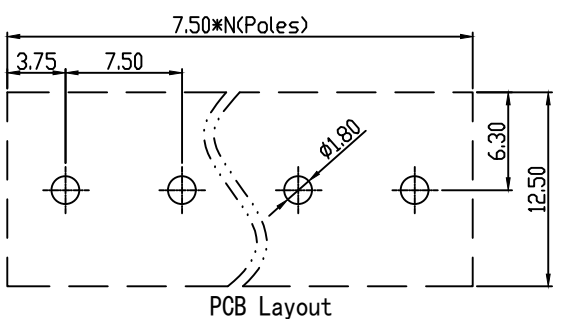
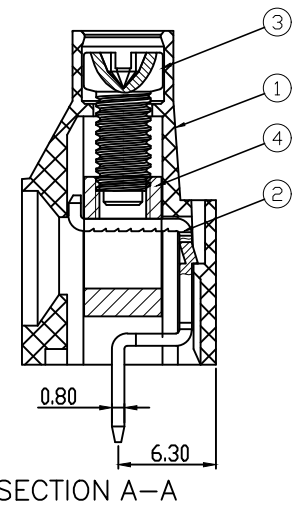
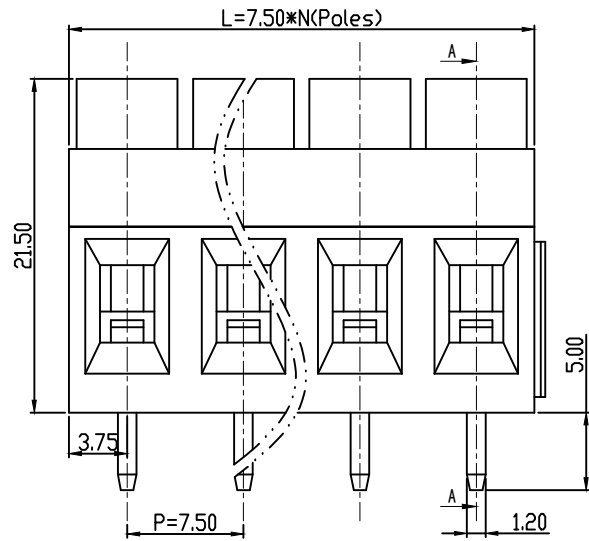
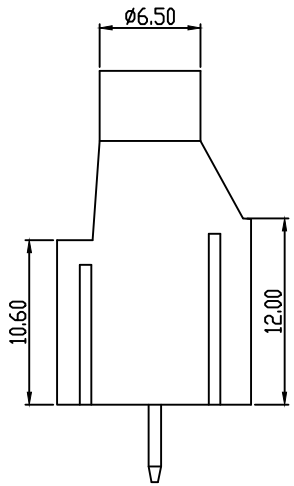
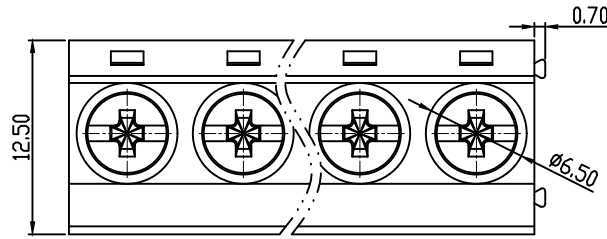


未注线性尺寸公差 Liner dimension tolerances

0~6	6~10	>10~30	>30~60	>60~100	>100~160	>160
±0.2	±0.3	±0.5	±0.7	±1.0	±1.3	±1.6

REV	DESCRIPTION	DRW.	DATE
A	RELEASE		

UL 技术参数 UL Technical Data			
等级 Use Group	B	C	D
额定电压 Rated Voltage [V]	300	300	300
额定电流 Rated Current [A]	30	30	10
耐电压 Withstanding Voltage [V]	AC 2500V/1Min		
IEC 技术参数 IEC Technical Data			
过压类别 Overvoltage Category	III	III	II
污染等级 Contamination Class	3	2	2
额定电压 Rated Voltage [V]	500	630	1000
额定电流 Rated Current [A]	32	32	32
冲击电压 Rate Impulse Voltage [KV]	6	6	6
一般参数 Other Data			
线径范围 Wire Range [AWG/mm <sup>2</sup> ]	30~10/0.2~5.0		
剥线长度 Stripping length [mm]	7~8		
位数范围 Poles	02~24P		
工作温度 Operating temperature [°C]	-40 ~ +105		
螺钉/扭力 Screw / Torque /lb.in	M3.5/10		
环保要求 RoHS Compliant	YES		



4	Cage	Brass	NI Plated
3	Screw	Steel	NI Plated
2	Pin Header	Brass	SN Plated
1	Housing	PA66	UL94-V0
ITEM	NAME	MATERIAL	NOTES

TYPE	CUSTOMER DRAWING 客户图档	PROJECTION	
DRFT	刘秀海	DATE	2026.05.18
CHKD	曾裕辉	DATE	2026.05.18
APPD	陈柏林	DATE	2026.05.18
		UNITS:	MM
		SCALE:	1:1
		SHEET	1 OF 1

**赋安连电气**  
FORANY ELECTRIC

TITLE: **EU5-XX-7.50-01**

DWG NO.