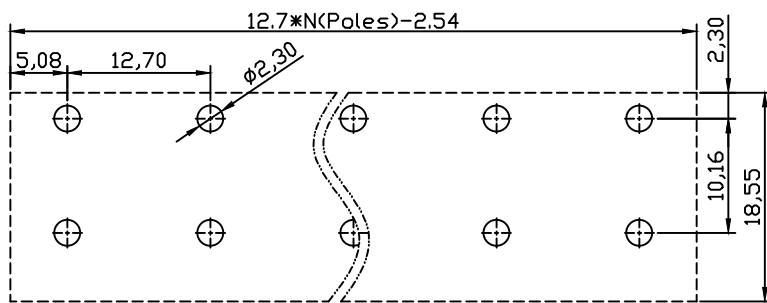
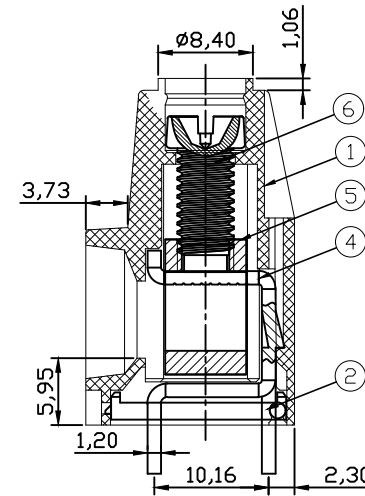
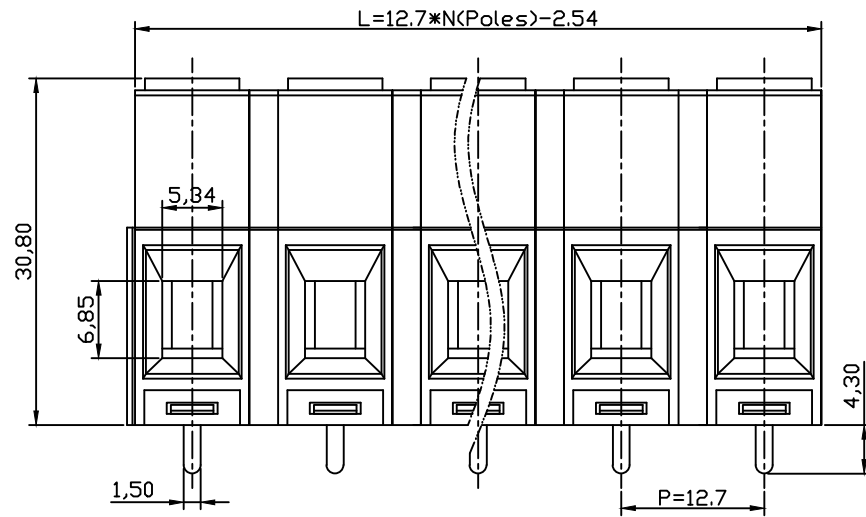
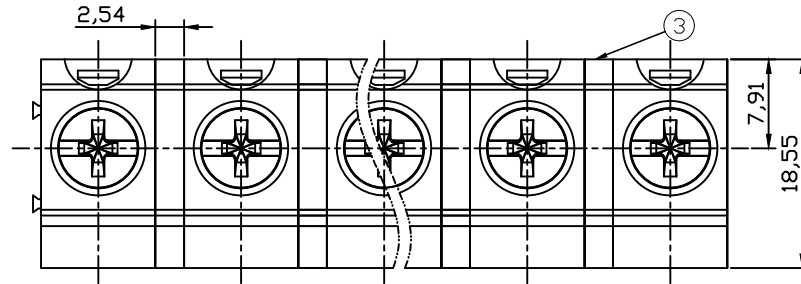


未注线性尺寸公差 Liner dimension tolerances

0~6	6~10	>10~30	>30~60	>60~100	>100~160	>160
±0.2	±0.3	±0.5	±0.7	±1.0	±1.3	±1.6



PCB Layout

REV	DESCRIPTION	DRW.	DATE
A	RELEASE		

UL 技术参数

UL Technical Data

等级	Use Group	B	C	D
额定电压	Rated Voltage [V]	300	300	600
额定电流	Rated Current [A]	57	57	5
耐电压	Withstanding Voltage [V]	AC 3000V/1Min		

IEC 技术参数

IEC Technical Data

过压类别	Overvoltage Category	III	III	II
污染等级	Contamination Class	3	2	2
额定电压	Rated Voltage [V]	630	1000	1000
额定电流	Rated Current [A]	57	57	57
冲击电压	Rate Impulse Voltage [KV]	6	6	6

一般参数 Other Data

线径范围	Wire Range [AWG/mm ²]	20~6/0.5~10.0
剥线长度	Stripping length [mm]	11~12
位数范围	Poles	02~24P
工作温度	Operating temperature [°C]	-40 ~ +105
螺钉/扭力	Screw / Torque / lbf.in	M5/26
环保要求	RoHS Compliant	YES

6	Screw	STEEL	Ni Plated
5	Cage	BRASS	Ni Plated
4	Pin Header	BRASS	SN Plated
3	Clapboard	PA66	UL94-V0
2	Cover	PA66	UL94-V0
1	Housing	PA66	UL94-V0
ITEM	NAME	MATERIAL	NOTES

TYPE		CUSTOMER DRAWING		PROJECTION					
DRFT	刘秀海	DATE	2026.05.18	UNITS:	MM	TITLE			
CHKD	普裕辉	DATE	2026.05.18	SCALE:	1:1	EU10-XX-12.7-01			
APPD	陈柏林	DATE	2026.05.18	SHEET	1 OF 1	DWG NO.			