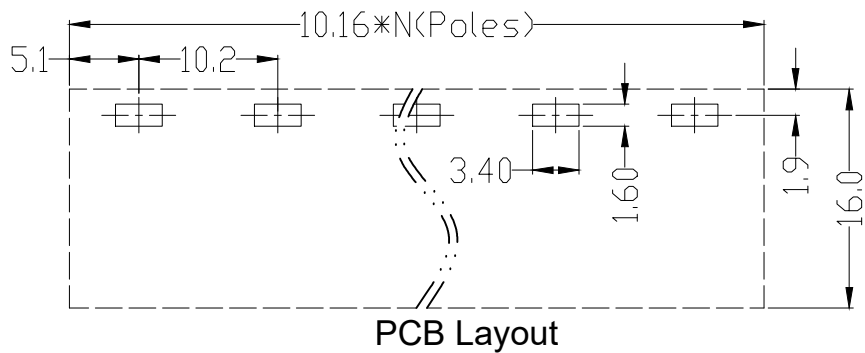
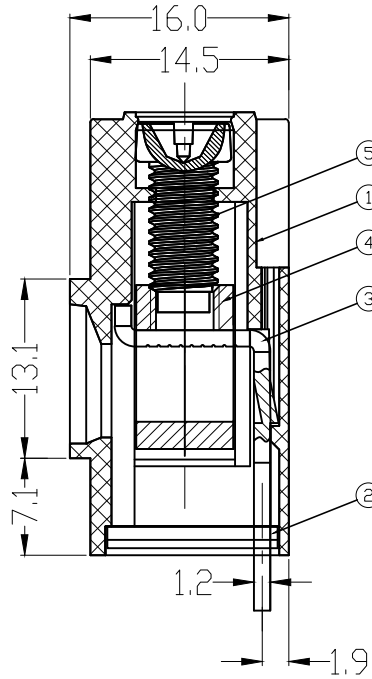
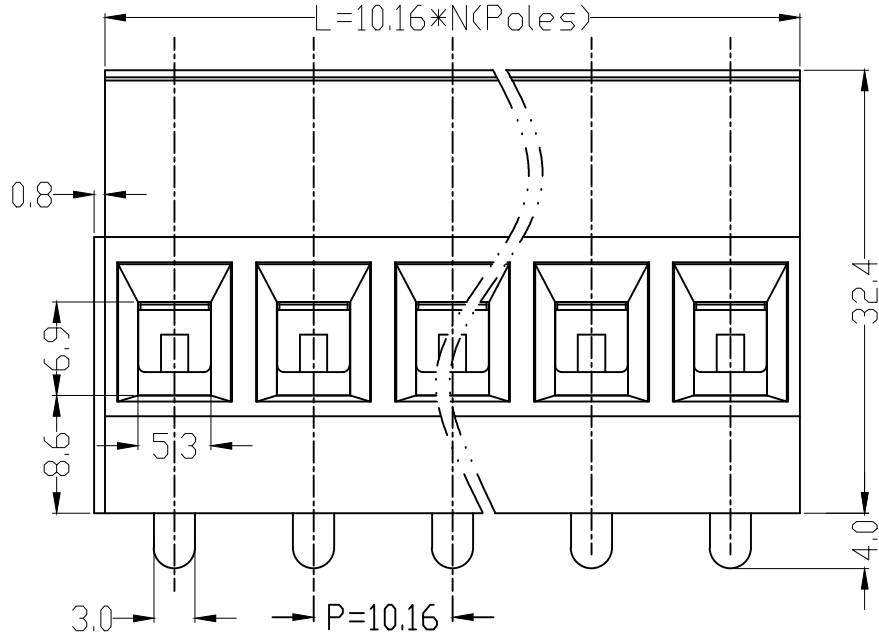


未注线性尺寸公差 Liner dimension tolerances

0~6	6~10	>10~30	>30~60	>60~100	>100~160	>160
±0.2	±0.3	±0.5	±0.7	±1.0	±1.3	±1.6



PCB Layout

REV	DESCRIPTION	DRW.	DATE
A	RELEASE		

UL 技术参数				
UL Technical Data				
等级	Use Group	B	C	D
额定电压	Rated Voltage [V]	300	300	300
额定电流	Rated Current [A]	57	57	10
耐电压	Withstanding Voltage [V]	AC 3000V/1Min		
IEC 技术参数				
IEC Technical Data				
过压类别	Overvoltage Category	III	III	II
污染等级	Contamination Class	3	2	2
额定电压	Rated Voltage [V]	500	800	1000
额定电流	Rated Current [A]	57	57	57
冲击电压	Rate Impulse Voltage [KV]	6	6	6
一般参数 Other Data				
线径范围	Wire Range [AWG/mm <sup>2</sup> ]	20~6/0.5~10.0		
剥线长度	Stripping length [mm]	10~11		
位数范围	Poles	02~24P		
工作温度	Operating temperature [°C]	-40 ~ +105		
螺钉/扭力	Screw / Torque /bf.in	M5/26		
环保要求	RoHS Compliant	YES		

5	Screw	STEEL	SN Plated
4	Cage	BRASS	/
3	Pin Header	BRASS	BRASS
2	Cover	PA66	UL94-V0
1	Housing	PA66	UL94-V0
ITEM	NAME	MATERIAL	NOTES

TYPE		CUSTOMER DRAWING		PROJECTION					
DRFT		刘秀海		DATE		2026.05.18		UNITS: MM	
CHKD		曾裕辉		DATE		2026.05.18		SCALE: 1:1	
APPD		陈柏林		DATE		2026.05.18		SHEET 1 OF 1	
TITLE								EU10-XX-10.16-06	
DWG NO.									