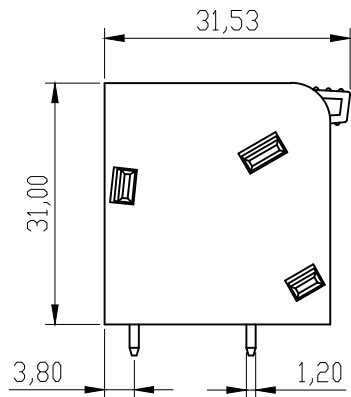
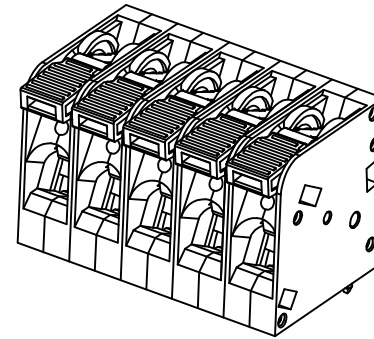
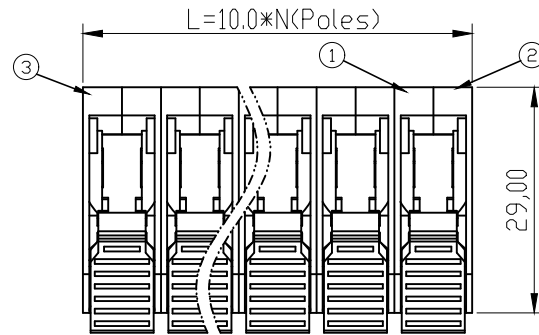


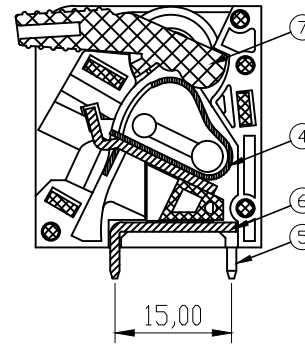
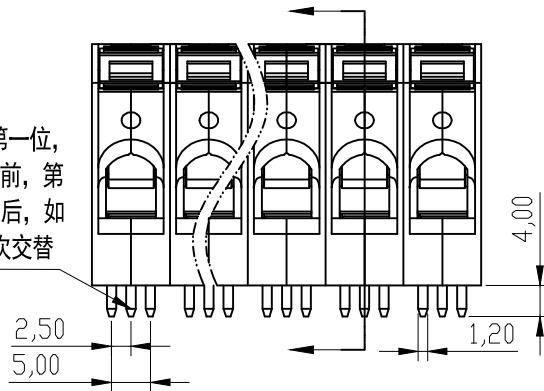
未注线性尺寸公差 Linear dimension tolerances

0~6	6~10	>10~30	>30~60	>60~100	>100~160	>160
±0.2	±0.3	±0.5	±0.7	±1.0	±1.3	±1.6

REV	DESCRIPTION	DRW.	DATE
A	RELEASE		



左起第一位，  
引脚靠前，第  
二位靠后，如  
此依次交替



UL 技术参数  
UL Technical Data

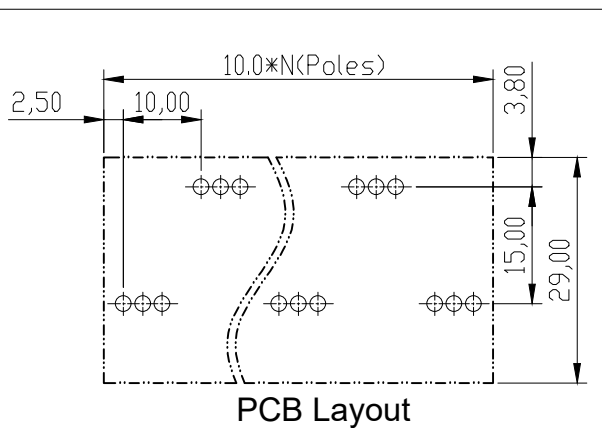
等级 Use Group	B	C	D
额定电压 Rated Voltage [V]	600	600	600
额定电流 Rated Current [A]	65	65	5
耐电压 Withstanding Voltage [V]	AC 2500V/1Min		

IEC 技术参数  
IEC Technical Data

过压类别 Overvoltage Category	III	III	II
污染等级 Contamination Class	3	2	2
额定电压 Rated Voltage [V]	630	800	1000
额定电流 Rated Current [A]	76	76	76
冲击电压 Rate Impulse Voltage [KV]	6	6	6

一般参数 Other Data

线径范围 Wire Range [AWG/mm <sup>2</sup> ]	18~4/0.5~16.0
剥线长度 Stripping length [mm]	17~19
位数范围 Poles	02~12P
工作温度 Operating temperature [°C]	-40 ~ +105
螺钉/扭力 Screw / Torque /bf.in	/
环保要求 RoHS Compliant	YES



7	Wrench	POM	UL94-HB
6	Pin Header2	BRASS	SN Plated
5	Pin Header1	BRASS	SN Plated
4	Flat spring	SUS301	/
3	Edge shell	PA66	UL94-V0
2	Housing	PA66	UL94-V0
1	Side shell	PA66	UL94-V0
ITEM	NAME	MATERIAL	NOTES

TYPE CUSTOMER DRAWING 客户图档		PROJECTION		 <b>赋安连电气</b> FORANY ELECTRIC
DRFT 刘秀海	DATE 2026.05.18	UNITS: MM	TITLE EU10-XX-10.16-03	
CHKD 曾裕辉	DATE 2026.05.18	SCALE: 1:1	DWG NO.	FEU1150
APPD 陈柏林	DATE 2026.05.18	SHEET 1 OF 1		