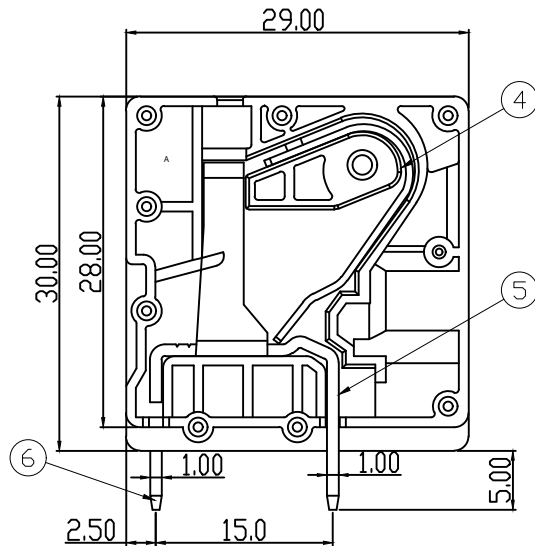


未注线性尺寸公差 Linear dimension tolerances

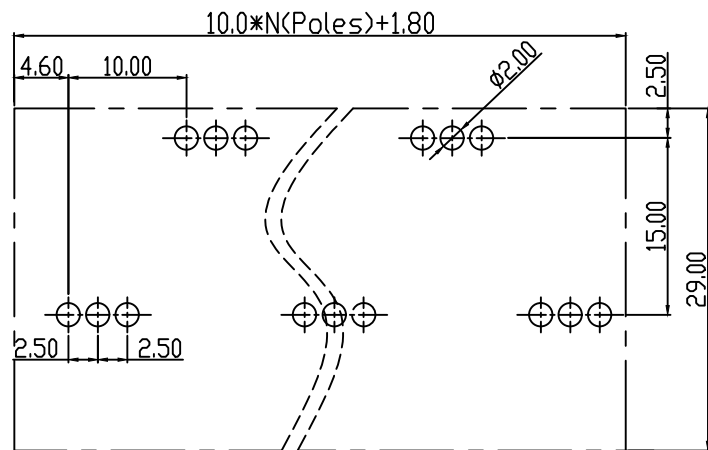
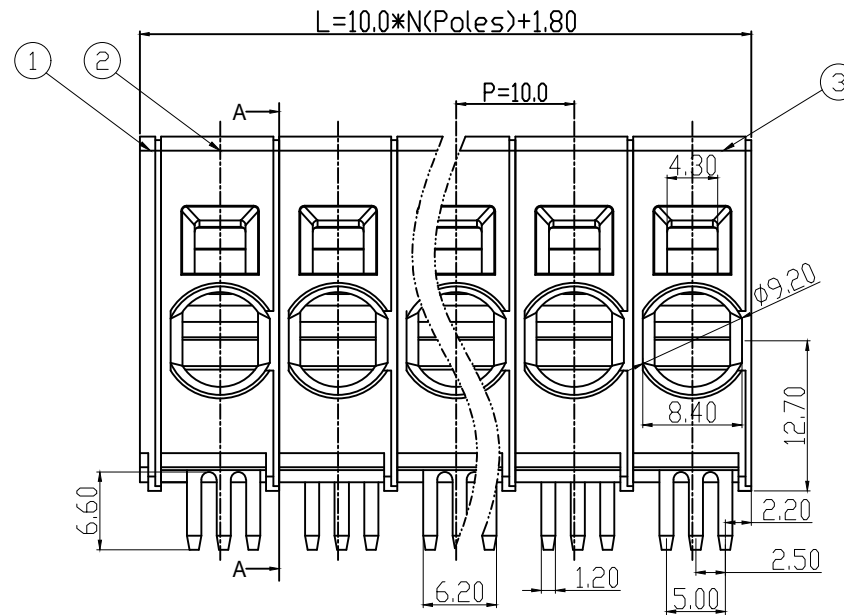
0~6	6~10	>10~30	>30~60	>60~100	>100~160	>160
±0.2	±0.3	±0.5	±0.7	±1.0	±1.3	±1.6

REV	DESCRIPTION	DRW.	DATE
A	RELEASE		

UL 技术参数			
UL Technical Data			
等级	Use Group	B	C D
额定电压	Rated Voltage [V]	600	600 600
额定电流	Rated Current [A]	65	65 5
耐电压	Withstanding Voltage [V]	AC 2500V/1Min	
IEC 技术参数			
IEC Technical Data			
过压类别	Overvoltage Category	III	III II
污染等级	Contamination Class	3	2 2
额定电压	Rated Voltage [V]	630	800 1000
额定电流	Rated Current [A]	76	76 76
冲击电压	Rate Impulse Voltage [KV]	6	6 6
一般参数 Other Data			
线径范围	Wire Range [AWG/mm ²]	18~4/0.5~16.0	
剥线长度	Stripping length [mm]	17~19	
位数范围	Poles	02~12P	
工作温度	Operating temperature [°C]	-40 ~ +105	
螺钉/扭力	Screw / Torque / lbf.in	/	
环保要求	RoHS Compliant	YES	



SECTION A-A



PCB Layout

6	Pin Header2	BRASS	SN Plated
5	Pin Header1	BRASS	SN Plated
4	Flat spring	SUS301	/
3	Edge shell	PA66	UL94-V0
2	Housing	PA66	UL94-V0
1	Side shell	PA66	UL94-V0
ITEM	NAME	MATERIAL	NOTES

TYPE CUSTOMER DRAWING 客户图档		PROJECTION				 FORANY ELECTRIC	
DRFT	刘秀海	DATE	2026.05.18	UNITS:	MM	TITLE EU10-XX-10.16-02	
CHKD	曾裕辉	DATE	2026.05.18	SCALE:	1:1	DWG NO.	
APPD	陈柏林	DATE	2026.05.18	SHEET 1 OF 1			