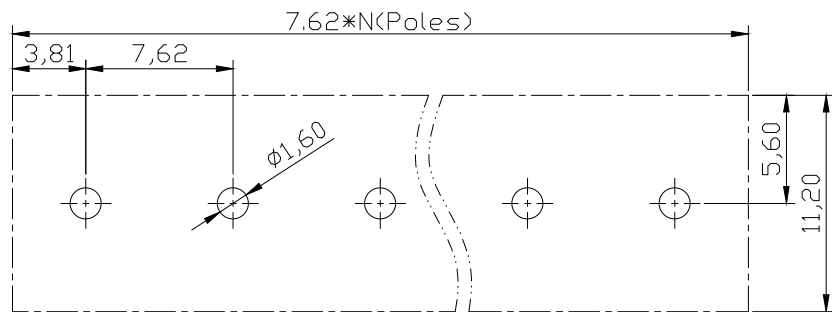
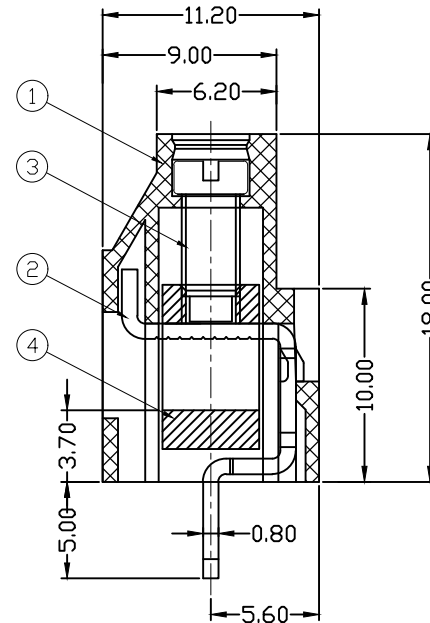
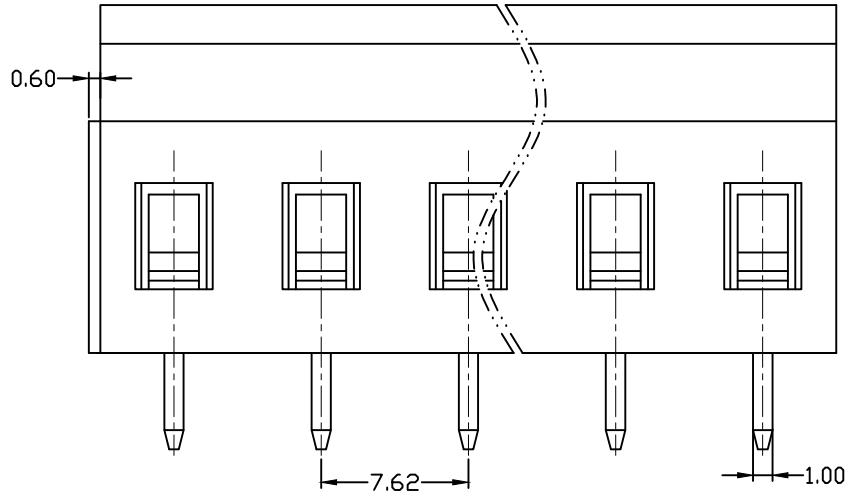
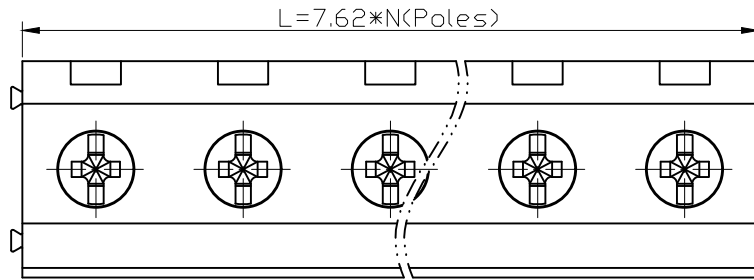


未注线性尺寸公差 Liner dimension tolerances

0~6	6~10	>10~30	>30~60	>60~100	>100~160	>160
±0.2	±0.3	±0.5	±0.7	±1.0	±1.3	±1.6

REV	DESCRIPTION	DRW.	DATE
A	RELEASE		

UL 技术参数			
UL Technical Data			
等级	Use Group	B	C D
额定电压	Rated Voltage [V]	300	/ 300
额定电流	Rated Current [A]	15	/ 10
耐电压	Withstanding Voltage [V]	AC 2500V/1Min	
IEC 技术参数			
IEC Technical Data			
过压类别	Overvoltage Category	III	III II
污染等级	Contamination Class	3	2 2
额定电压	Rated Voltage [V]	250	400 630
额定电流	Rated Current [A]	17.5	17.5 17.5
冲击电压	Rate Impulse Voltage [KV]	4	4 4
一般参数 Other Data			
线径范围	Wire Range [AWG/mm]²	30~14/0.5~2.5	
剥线长度	Stripping length [mm]	7~8	
位数范围	Poles	02~24P	
工作温度	Operating temperature [°C]	-40 ~ +105	
螺钉/扭力	Screw / Torque / lbf.in	M3/5	
环保要求	RoHS Compliant	YES	



PCB Layout

4	Cage	Brass	Ni Plated
3	Screw	Steel	Ni Plated
2	Pin Header	Brass	SN Plated
1	Housing 1	PA66	UL94-V0
ITEM	NAME	MATERIAL	NOTES

TYPE	CUSTOMER DRAWING 客户图档	PROJECTION	
DRFT	DATE	UNITS: MM	
CHKD	DATE	SCALE: 1:1	
APPD	DATE	SHEET 1 OF 1	

赋安连电气
FORANY ELECTRIC

TITLE: **EU1.5-XX-7.62-01**

DWG NO.