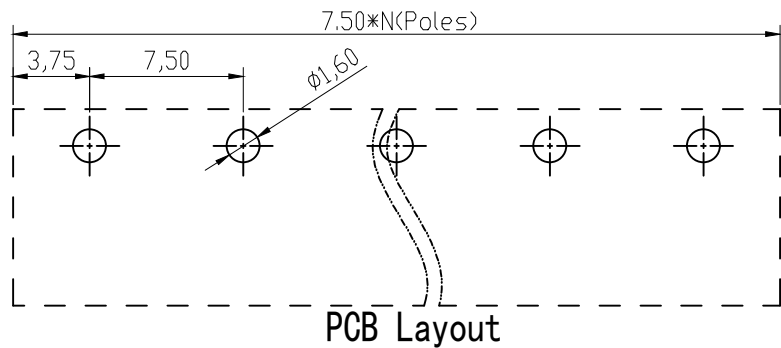
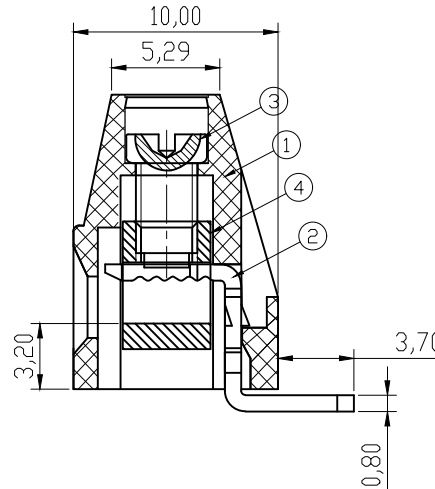
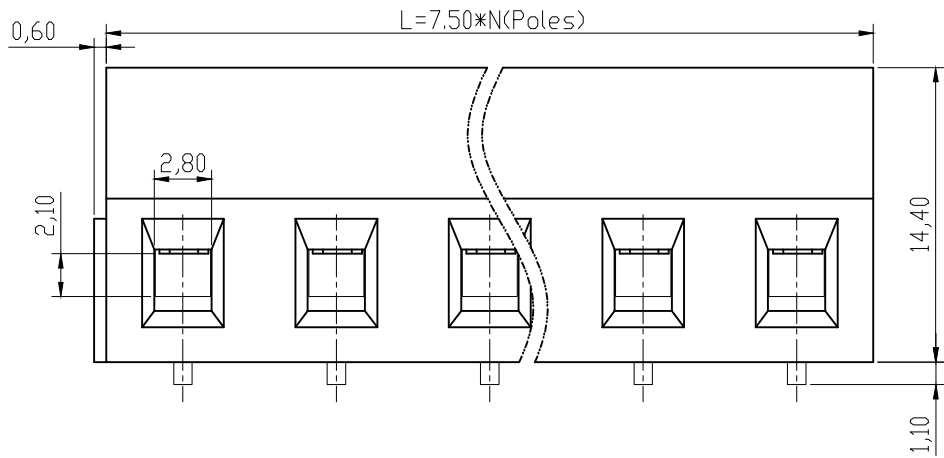
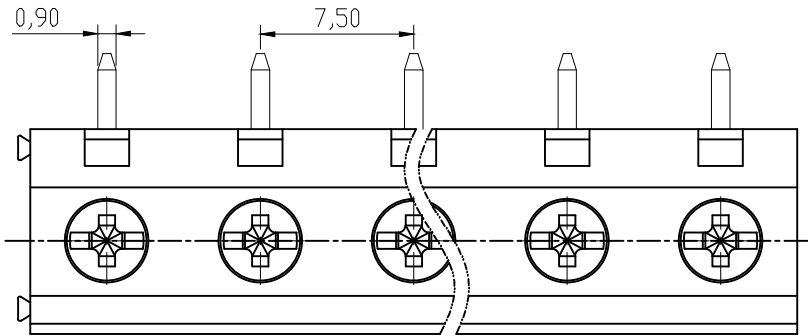


未注线性尺寸公差 Linear dimension tolerances

0~6	6~10	>10~30	>30~60	>60~100	>100~160	>160
±0.2	±0.3	±0.5	±0.7	±1.0	±1.3	±1.6



PCB Layout

REV	DESCRIPTION	DRW.	DATE
A	RELEASE		

UL 技术参数

UL Technical Data

等级 Use Group	B	C	D
额定电压 Rated Voltage [V]	300	/	300
额定电流 Rated Current [A]	15	/	10
耐电压 Withstanding Voltage [V]	AC 2500V/1Min		

IEC 技术参数

IEC Technical Data

过压类别 Overvoltage Category	III	III	II
污染等级 Contamination Class	3	2	2
额定电压 Rated Voltage [V]	250	400	630
额定电流 Rated Current [A]	17.5	17.5	17.5
冲击电压 Rate Impulse Voltage [KV]	4	4	4

一般参数 Other Data

线径范围 Wire Range [AWG/mm ²]	30~14/0.5~2.5
剥线长度 Stripping length [mm]	6~7
位数范围 Poles	02~24P
工作温度 Operating temperature [°C]	-40 ~ +105
螺钉/扭力 Screw / Torque /lbf.in	M3/5
环保要求 RoHS Compliant	YES

4	Cage	Brass	NI Plated
3	Screw	Steel	NI Plated
2	Pin Header	Brass	SN Plated
1	Housing	PA66	UL94-V0
ITEM	NAME	MATERIAL	NOTES

TYPE CUSTOMER DRAWING 客户图档		PROJECTION		UNITS: MM	
DRFT	刘秀海	DATE	2026.05.18	SCALE: 1:1	
CHKD	曾裕辉	DATE	2026.05.18	SHEET 1 OF 1	
APPD	陈柏林	DATE	2026.05.18		

赋安连电气
FORANY ELECTRIC

TITLE
EU1.5-XX-7.50-00B

DWG NO.