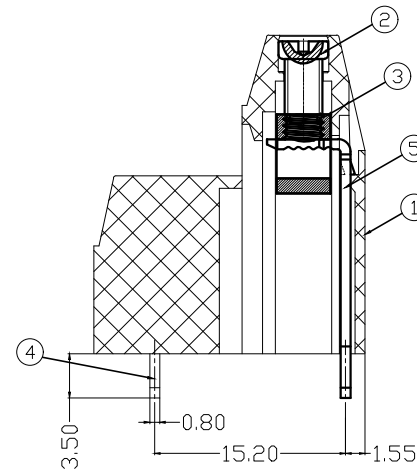
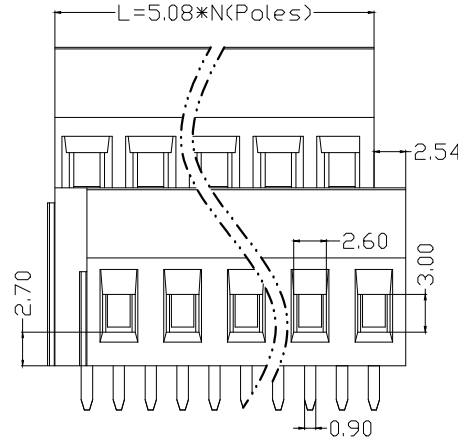
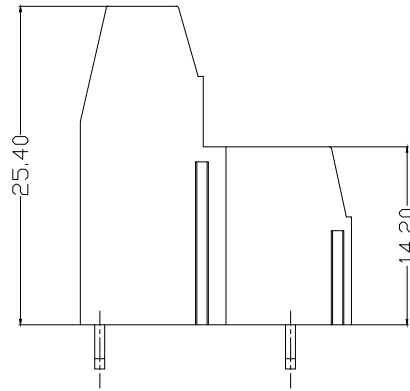
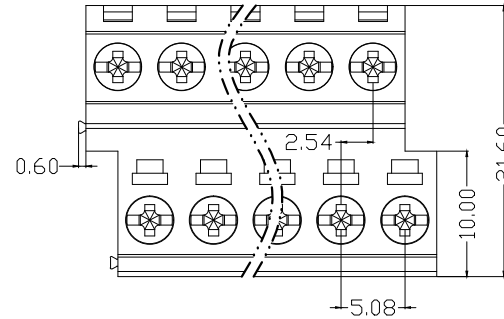


未注线性尺寸公差 Liner dimension tolerances

0~6	6~10	>10~30	>30~60	>60~100	>100~160	>160
±0.2	±0.3	±0.5	±0.7	±1.0	±1.3	±1.6

REV	DESCRIPTION	DRW.	DATE
A	RELEASE		



UL 技术参数

UL Technical Data

等级	Use Group	B	C	D
额定电压	Rated Voltage [V]	300	/	300
额定电流	Rated Current [A]	15	/	10
耐电压	Withstanding Voltage [V]	AC 2000V/1Min		

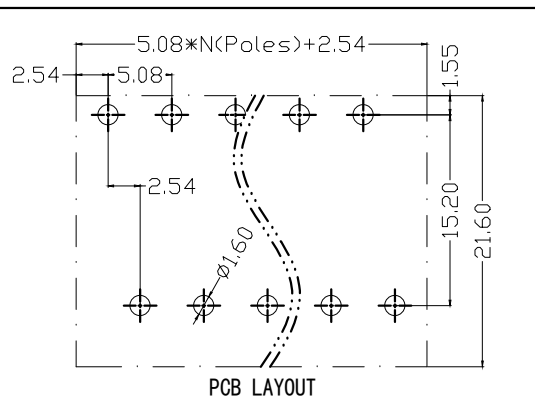
IEC 技术参数

IEC Technical Data

过压类别	Overvoltage Category	III	III	II
污染等级	Contamination Class	3	2	2
额定电压	Rated Voltage [V]	250	320	400
额定电流	Rated Current [A]	17.5	17.5	17.5
冲击电压	Rate Impulse Voltage [KV]	4	4	4

一般参数 Other Data

线径范围	Wire Range [AWG/mm <sup>2</sup> ]	30~14/0.5~2.5
剥线长度	Stripping length [mm]	5~6
位数范围	Poles	02~24P
工作温度	Operating temperature [°C]	-40 ~ +105
螺钉/扭力	Screw / Torque /lbf.in	M3/5
环保要求	RoHS Compliant	YES



5	Pin Header2	Brass	SN Plated
4	Pin Header1	Brass	SN Plated
3	Cage	Brass	NI Plated
2	Screw	Steel	NI Plated
1	Housing	PA66	UL94-V0
ITEM	NAME	MATERIAL	NOTES

TYPE CUSTOMER DRAWING 客户图档		PROJECTION			
DRFT	刘秀海	DATE	2026.05.18	UNITS:	MM
CHKD	曾裕辉	DATE	2026.05.18	SCALE:	1:1
APPD	陈柏林	DATE	2026.05.18	SHEET	1 OF 1

<b>EU1.5-XX-5.08-11</b>	
DWG NO.	