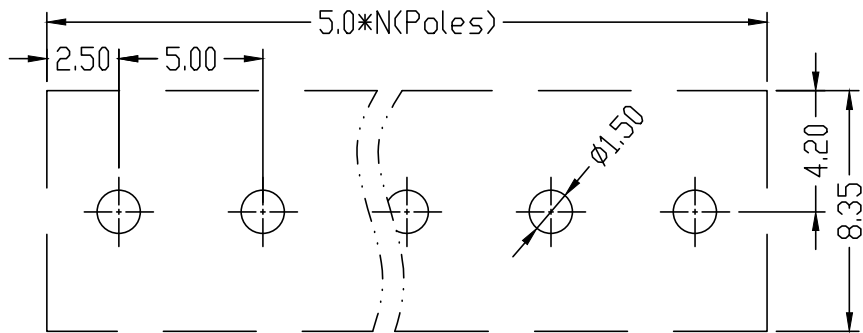
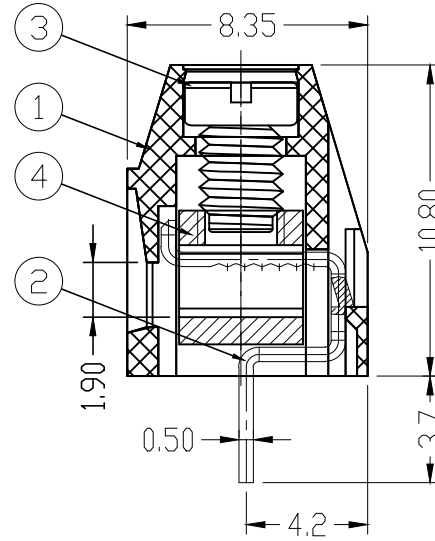
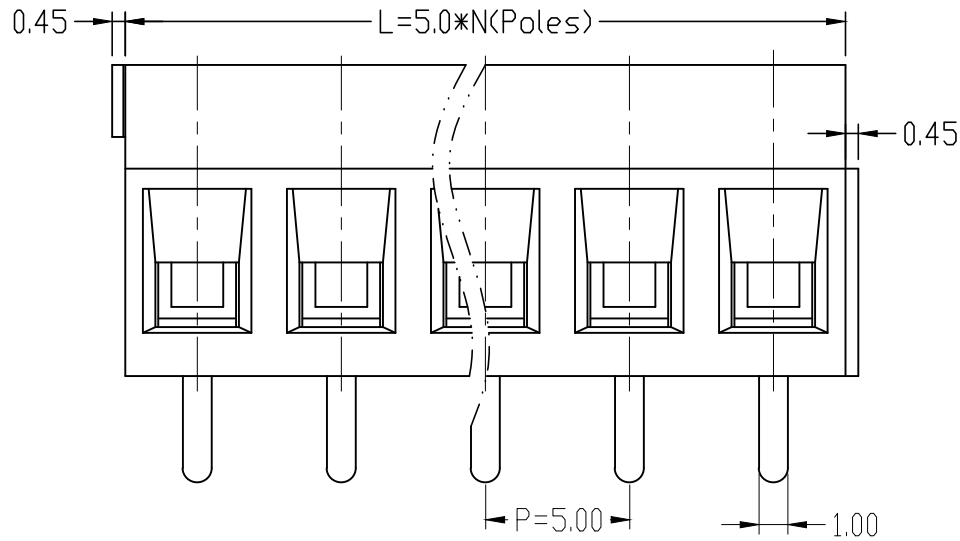


未注线性尺寸公差 Linear dimension tolerances

0~6	6~10	>10~30	>30~60	>60~100	>100~160	>160
±0.2	±0.3	±0.5	±0.7	±1.0	±1.3	±1.6



PCB Layout

REV	DESCRIPTION	DRW.	DATE
A	RELEASE		

UL 技术参数
UL Technical Data

等级	Use Group	B	C	D
额定电压	Rated Voltage [V]	300	/	300
额定电流	Rated Current [A]	10	/	10
耐电压	Withstanding Voltage [V]	AC 2000V/1Min		

IEC 技术参数
IEC Technical Data

过压类别	Overvoltage Category	III	III	II
污染等级	Contamination Class	3	2	2
额定电压	Rated Voltage [V]	250	320	400
额定电流	Rated Current [A]	13.5	13.5	13.5
冲击电压	Rate Impulse Voltage [KV]	4	4	4

一般参数 Other Data

线径范围	Wire Range [AWG/mm ²]	26~14/0.2~1.5	
剥线长度	Stripping length [mm]	5~6	
位数范围	Poles	02~24P	
工作温度	Operating temperature [°C]	-40 ~ +105	
螺钉/扭力	Screw / Torque / lbf.in	M3/5	
环保要求	RoHS Compliant	YES	

4	Cage	Brass	NI Plated
3	Screw	STELL	NI Plated
2	Pin Header	Brass	SN Plated
1	Housing	PA66	UL94-V0
ITEM	NAME	MATERIAL	NOTES

TYPE	CUSTOMER DRAWING 客户图档	PROJECTION	
DRFT	刘秀海	DATE	2026.05.18
CHKD	曾裕辉	DATE	2026.05.18
APPD	陈柏林	DATE	2026.05.18
		UNITS:	MM
		SCALE:	1:1
		SHEET	1 OF 1

赋安连电气
FORANY ELECTRIC

TITLE
EU1.5-XX-5.0-01

DWG NO.