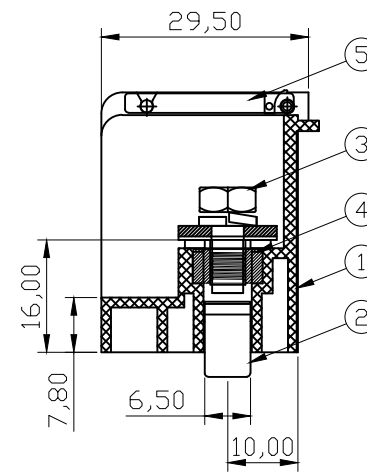
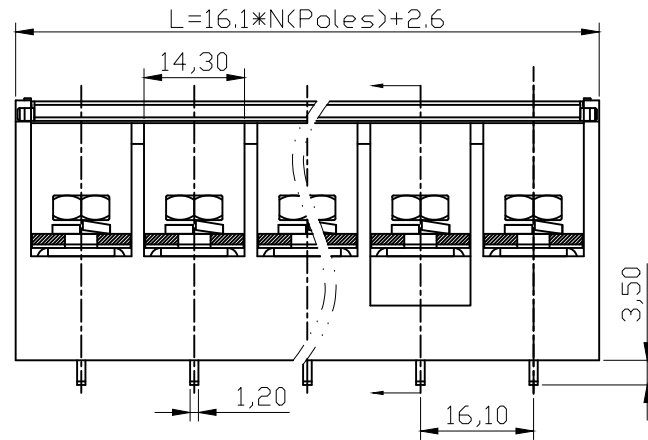
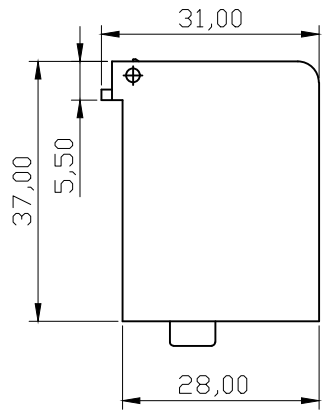
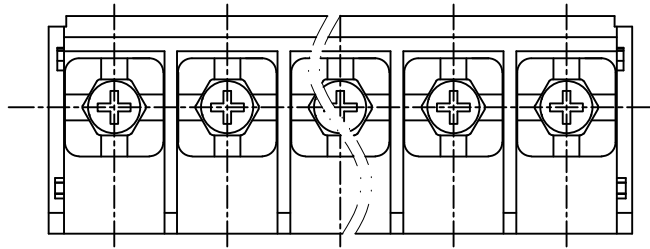


未注线性尺寸公差 Liner dimension tolerances

|      |      |        |        |         |          |      |
|------|------|--------|--------|---------|----------|------|
| 0~6  | 6~10 | >10~30 | >30~60 | >60~100 | >100~160 | >160 |
| ±0.2 | ±0.3 | ±0.5   | ±0.7   | ±1.0    | ±1.3     | ±1.6 |

| REV | DESCRIPTION | DRW. | DATE |
|-----|-------------|------|------|
| A   | RELEASE     |      |      |

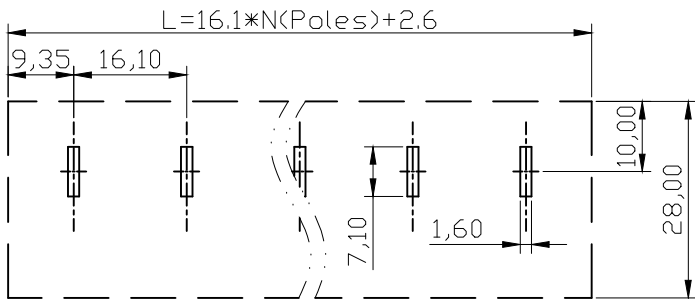


UL 技术参数  
UL Technical Data

|                                |                           |               |      |      |
|--------------------------------|---------------------------|---------------|------|------|
| 等级                             | Use Group                 | B             | C    | D    |
| 额定电压                           | Rated Voltage [V]         | 600           | 600  | 600  |
| 额定电流                           | Rated Current [A]         | 50            | 50   | 5    |
| 耐电压                            | Withstanding Voltage [V]  | AC 3000V/1Min |      |      |
| IEC 技术参数<br>IEC Technical Data |                           |               |      |      |
| 过压类别                           | Overvoltage Category      | III           | III  | II   |
| 污染等级                           | Contamination Class       | 3             | 2    | 2    |
| 额定电压                           | Rated Voltage [V]         | 800           | 1000 | 1000 |
| 额定电流                           | Rated Current [A]         | 57            | 57   | 57   |
| 冲击电压                           | Rate Impulse Voltage [KV] | 8             | 8    | 6    |

一般参数 Other Data

|       |                                   |               |
|-------|-----------------------------------|---------------|
| 线径范围  | Wire Range [AWG/mm <sup>2</sup> ] | 22~8/0.5~10.0 |
| 剥线长度  | Stripping length [mm]             | /             |
| 位数范围  | Poles                             | 2P~12P        |
| 工作温度  | Operating temperature [°C]        | -40 ~ +105    |
| 螺钉/扭力 | Screw / Torque / lbf.in           | M5/25         |
| 环保要求  | RoHS Compliant                    | YES           |



PCB Layout

|      |            |            |           |
|------|------------|------------|-----------|
| 5    | Cover      | PC         | /         |
| 4    | Nut        | STEEL      | Zn Plated |
| 3    | Screw      | STEEL      | Ni Plated |
| 2    | Pin header | BRASS      | SN Plated |
| 1    | Housing    | PA66+GF15% | UL94-V0   |
| ITEM | NAME       | MATERIAL   | NOTES     |

|      |                          |            |            |
|------|--------------------------|------------|------------|
| TYPE | CUSTOMER DRAWING<br>客户图档 | PROJECTION |            |
| DRFT | 刘秀海                      | DATE       | 2026.03.15 |
| CHKD | 曾裕辉                      | DATE       | 2026.03.15 |
| APPD | 陈柏林                      | DATE       | 2026.03.15 |
|      |                          | UNITS:     | MM         |
|      |                          | SCALE:     | 1:1        |
|      |                          | SHEET      | 1 OF 1     |

|                           |  |
|---------------------------|--|
|                           |  |
| FORANY ELECTRIC           |  |
| TITLE<br>BA8-XX-16.0-07-C |  |
| DWG NO.                   |  |