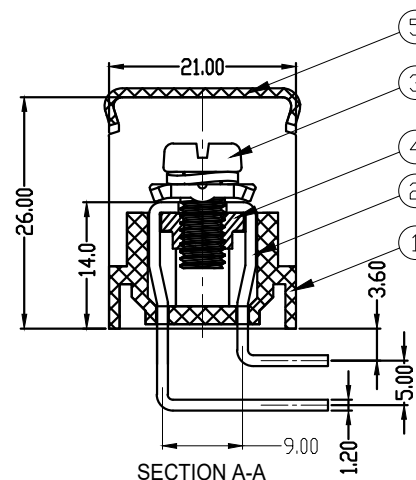
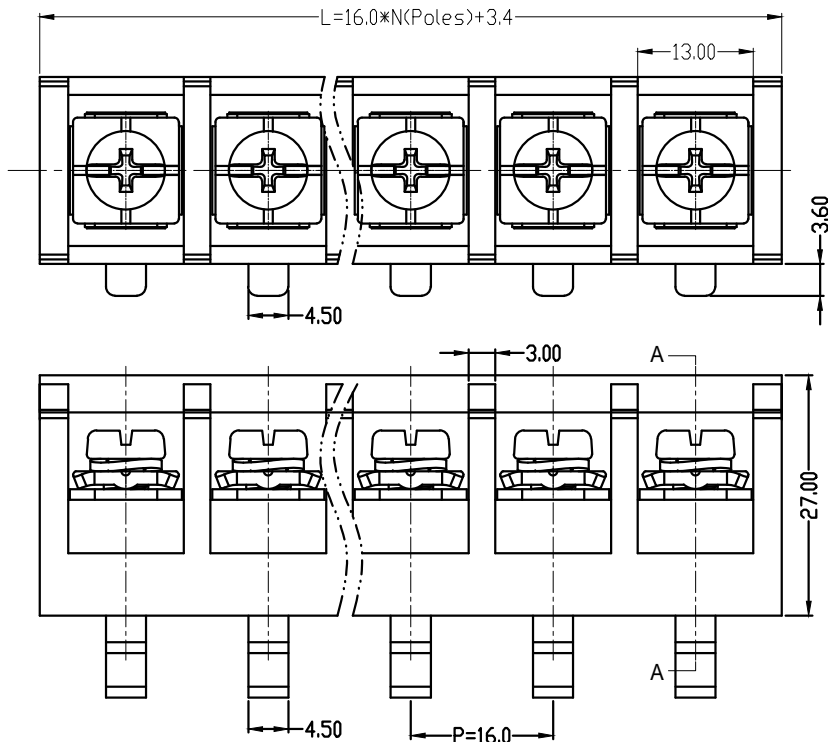


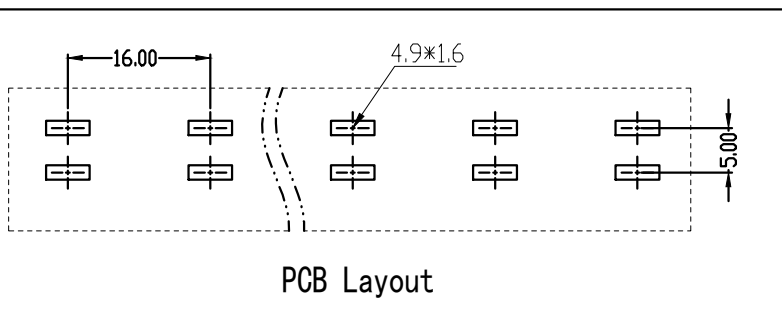
未注线性尺寸公差 Linear dimension tolerances

0~6	6~10	>10~30	>30~60	>60~100	>100~160	>160
±0.2	±0.3	±0.5	±0.7	±1.0	±1.3	±1.6

REV	DESCRIPTION	DRW.	DATE
A	RELEASE		



UL 技术参数 UL Technical Data			
等级 Use Group	B	C	D
额定电压 Rated Voltage [V]	600	600	600
额定电流 Rated Current [A]	65	65	5
耐电压 Withstanding Voltage [V]	AC 3000V/1Min		
IEC 技术参数 IEC Technical Data			
过压类别 Overvoltage Category	III	III	II
污染等级 Contamination Class	3	2	2
额定电压 Rated Voltage [V]	630	1000	1000
额定电流 Rated Current [A]	76	76	76
冲击电压 Rate Impulse Voltage [KV]	8	8	6
一般参数 Other Data			
线径范围 Wire Range [AWG/mm ²]	22~6/0.5~16		
剥线长度 Stripping length [mm]	7-12		
位数范围 Poles	02~16P		
工作温度 Operating temperature [°C]	-40 ~ +105		
螺钉/扭力 Screw / Torque / lbf.in	M5/25		
环保要求 RoHS Compliant	YES		



5	Housing	PC	UL94-V2
4	Nut	Steel	Ni Plated
3	Terminal	Brass	SN Plated
2	Screw	Steel	Ni Plated
1	Housing	PBT+GF	UL94-V0
ITEM	NAME	MATERIAL	NOTES

TYPE CUSTOMER DRAWING 客户图档		PROJECTION			
DRFT	刘秀海	DATE	2026.03.15	UNITS: MM	
CHKD	曾裕辉	DATE	2026.03.15	SCALE: 1:1	
APPD	陈柏林	DATE	2026.03.15	SHEET 1 OF 1	

 FORANY ELECTRIC	
TITLE BA8-XX-16.0-06-C	
DWG NO.	