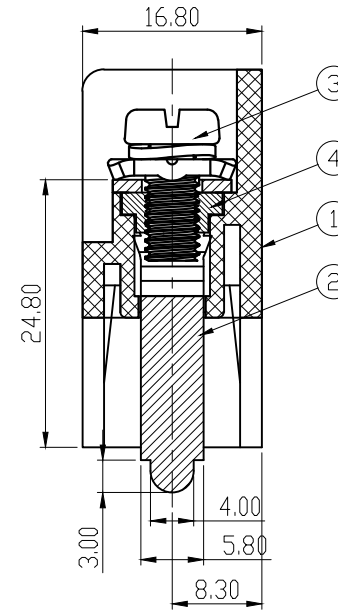
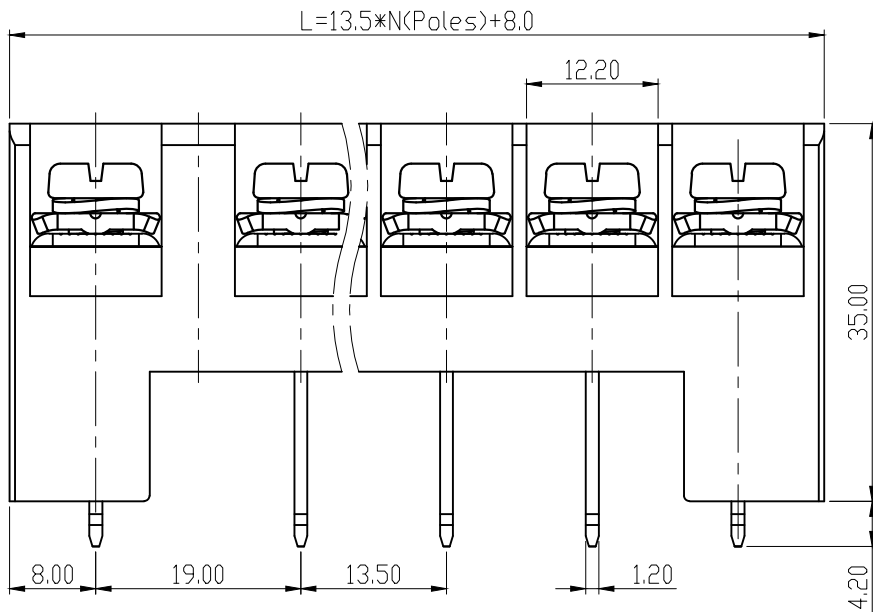


未注线性尺寸公差 Linear dimension tolerances

0~6	6~10	>10~30	>30~60	>60~100	>100~160	>160
±0.2	±0.3	±0.5	±0.7	±1.0	±1.3	±1.6

REV	DESCRIPTION	DRW.	DATE
A	RELEASE		



UL 技术参数

UL Technical Data

等级	Use Group	B	C	D
额定电压	Rated Voltage [V]	600	600	600
额定电流	Rated Current [A]	40	40	5
耐电压	Withstanding Voltage [V]	AC 3000V/1Min		

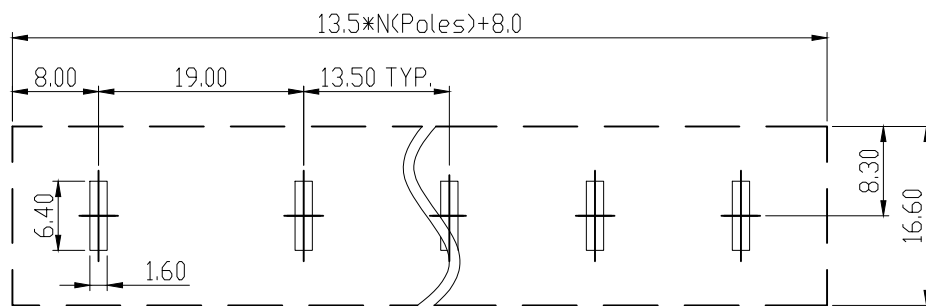
IEC 技术参数

IEC Technical Data

过压类别	Overvoltage Category	III	III	II
污染等级	Contamination Class	3	2	2
额定电压	Rated Voltage [V]	630	800	800
额定电流	Rated Current [A]	41	41	41
冲击电压	Rate Impulse Voltage [KV]	6	6	6

一般参数 Other Data

线径范围	Wire Range [AWG/mm <sup>2</sup> ]	24~8/1.0~6.0
剥线长度	Stripping length [mm]	10~12
位数范围	Poles	2P~12P
工作温度	Operating temperature [°C]	-40 ~ +105
螺钉/扭力	Screw / Torque / lbf.in	M5/20
环保要求	RoHS Compliant	YES



PCB Layout

4	Nut	STEEL	Ni Plated
3	Screw	STEEL	Ni Plated
2	Pin header	BRASS	SN Plated
1	Housing	PA66	UL94-V0
ITEM	NAME	MATERIAL	NOTES

TYPE	CUSTOMER DRAWING	PROJECTION			 FORANY ELECTRIC
DRFT	刘秀海	DATE	2026.03.15	UNITS: MM	
CHKD	曾裕辉	DATE	2026.03.15	SCALE: 1:1	TITLE
APPD	陈柏林	DATE	2026.03.15	SHEET 1 OF 1	BA8-XX-13.5-00
					DWG NO.