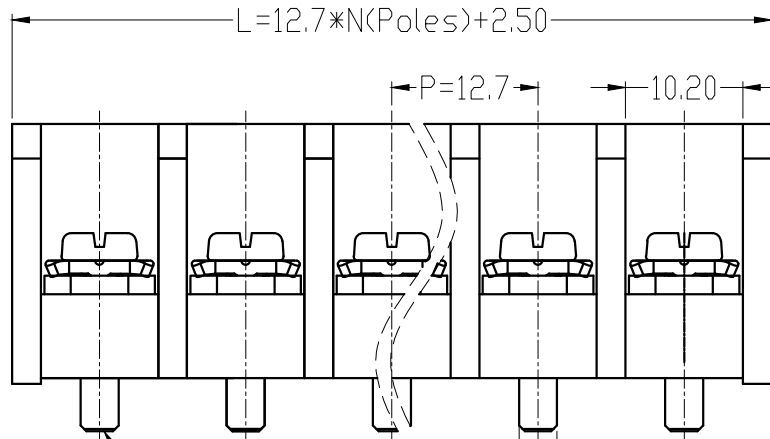


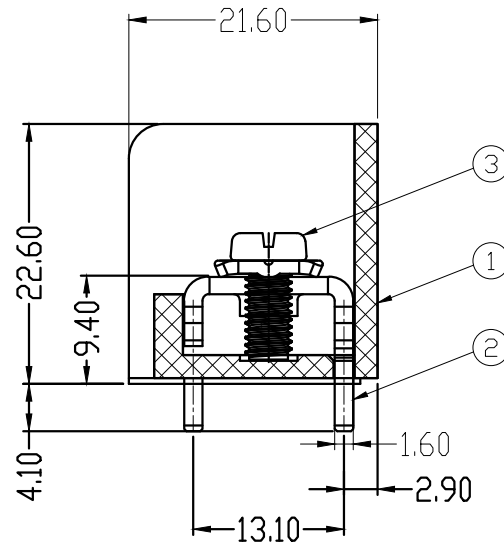
未注线性尺寸公差 Liner dimension tolerances

| | | | | | | |
|------|------|--------|--------|---------|----------|------|
| 0~6 | 6~10 | >10~30 | >30~60 | >60~100 | >100~160 | >160 |
| ±0.2 | ±0.3 | ±0.5 | ±0.7 | ±1.0 | ±1.3 | ±1.6 |

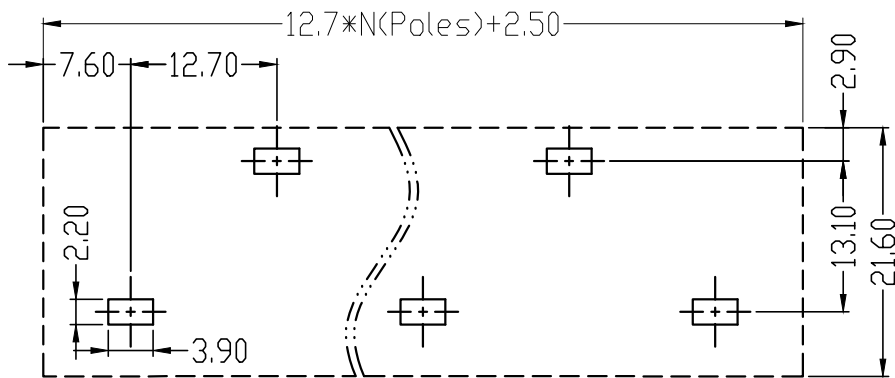
| REV | DESCRIPTION | DRW. | DATE |
|-----|-------------|------|------|
| A | RELEASE | | |



从左起第一位引脚靠前，依次前后交错安装。



| | | | | |
|--------------------|-----------------------------------|---------------|------|------|
| UL 技术参数 | | | | |
| UL Technical Data | | | | |
| 等级 | Use Group | B | C | D |
| 额定电压 | Rated Voltage [V] | 600 | 600 | 600 |
| 额定电流 | Rated Current [A] | 50 | 50 | 5 |
| 耐电压 | Withstanding Voltage [V] | AC 3000V/1Min | | |
| IEC 技术参数 | | | | |
| IEC Technical Data | | | | |
| 过压类别 | Overvoltage Category | III | III | II |
| 污染等级 | Contamination Class | 3 | 2 | 2 |
| 额定电压 | Rated Voltage [V] | 800 | 1000 | 1000 |
| 额定电流 | Rated Current [A] | 57 | 57 | 57 |
| 冲击电压 | Rate Impulse Voltage [KV] | 8 | 8 | 6 |
| 一般参数 Other Data | | | | |
| 线径范围 | Wire Range [AWG/mm ²] | 20~8/1.0~10.0 | | |
| 剥线长度 | Stripping length [mm] | 12~14 | | |
| 位数范围 | Poles | 2P~16P | | |
| 工作温度 | Operating temperature [°C] | -40 ~ +105 | | |
| 螺钉/扭力 | Screw / Torque / lbf.in | M4/13 | | |
| 环保要求 | RoHS Compliant | YES | | |



PCB LAYOUT

| 3 | Screw | STEEL | Ni Plated |
|------|------------|----------|-----------|
| 2 | Pin header | Brass | Zn Plated |
| 1 | Housing | PBT | UL94-V0 |
| ITEM | NAME | MATERIAL | NOTES |

| | | | | | |
|------|--------------------------|------|------------|--------------|--|
| TYPE | CUSTOMER DRAWING 客户图档 | | | PROJECTION | |
| DRFT | 刘秀海 | DATE | 2026.03.15 | UNITS: MM | |
| CHKD | 曾裕辉 | DATE | 2026.03.15 | SCALE: 1:1 | |
| APPD | 陈柏林 | DATE | 2026.03.15 | SHEET 1 OF 1 | |

| | | | |
|--|--|---------|----------------|
| | | TITLE | BA8-XX-12.7-01 |
| | | DWG NO. | |