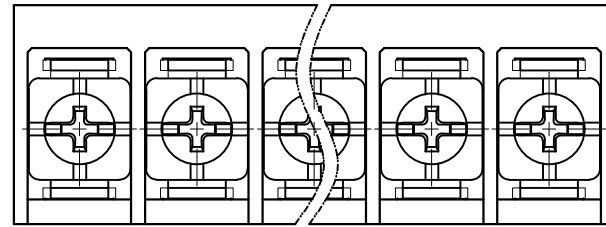


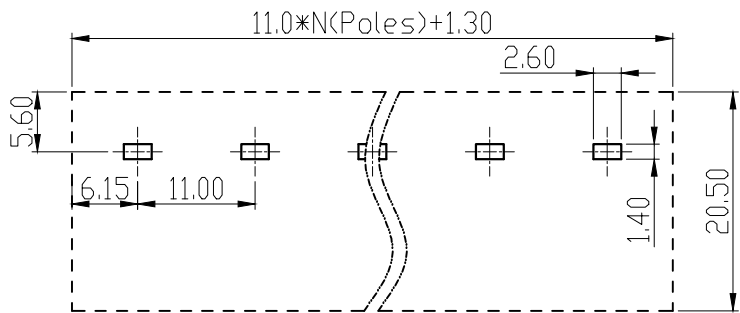
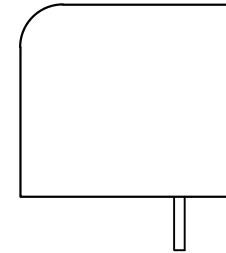
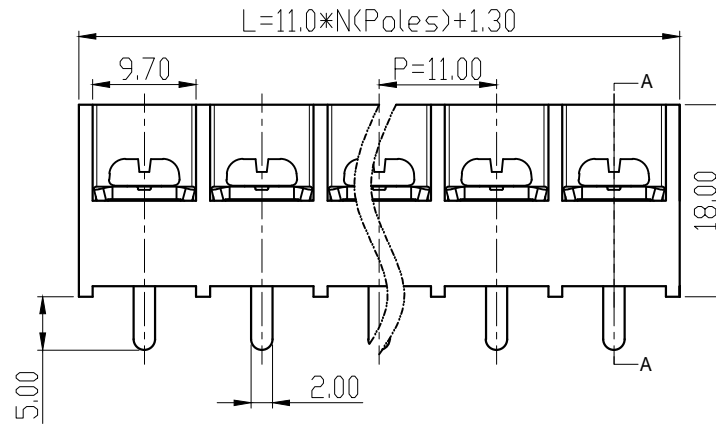
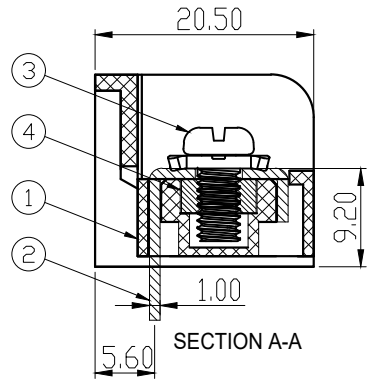
未注线性尺寸公差 Liner dimension tolerances

0~6	6~10	>10~30	>30~60	>60~100	>100~160	>160
±0.2	±0.3	±0.5	±0.7	±1.0	±1.3	±1.6

REV	DESCRIPTION	DRW.	DATE
A	RELEASE		



UL 技术参数				
UL Technical Data				
等级	Use Group	B	C	D
额定电压	Rated Voltage [V]	300	/	300
额定电流	Rated Current [A]	30	/	10
耐电压	Withstanding Voltage [V]	AC 2500V/1min		
IEC 技术参数				
IEC Technical Data				
过压类别	Overvoltage Category	III	III	II
污染等级	Contamination Class	3	2	2
额定电压	Rated Voltage [V]	500	630	630
额定电流	Rated Current [A]	41	41	41
冲击电压	Rate Impulse Voltage [KV]	6	6	6
一般参数 Other Data				
线径范围	Wire Range [AWG/mm <sup>2</sup> ]	22~10/0.5~6.0		
剥线长度	Stripping length [mm]	/		
位数范围	Poles	02~22P		
工作温度	Operating temperature [°C]	-40 ~ +105		
螺钉/扭力	Screw / Torque / lbf.in	M4/13		
环保要求	RoHS Compliant	YES		



PCB Layout

4	Nut	C1022	Ni Plated
3	Screw	C1022	Ni Plated
2	Pin header	H62(Y2)	SN Plated
1	Housing	PA66+GF15%	UL94-V0
ITEM	NAME	MATERIAL	NOTES

TYPE CUSTOMER DRAWING 客户图档		PROJECTION				<b>赋安连电气</b> FORANY ELECTRIC	
DRFT	刘秀海	DATE	2026.03.15	UNITS:	MM	TITLE <b>BA5-XX-11.0-05</b>	
CHKD	曾裕辉	DATE	2026.03.15	SCALE:	1:1	DWG NO.	
APPD	陈柏林	DATE	2026.03.15	SHEET 1 OF 1			