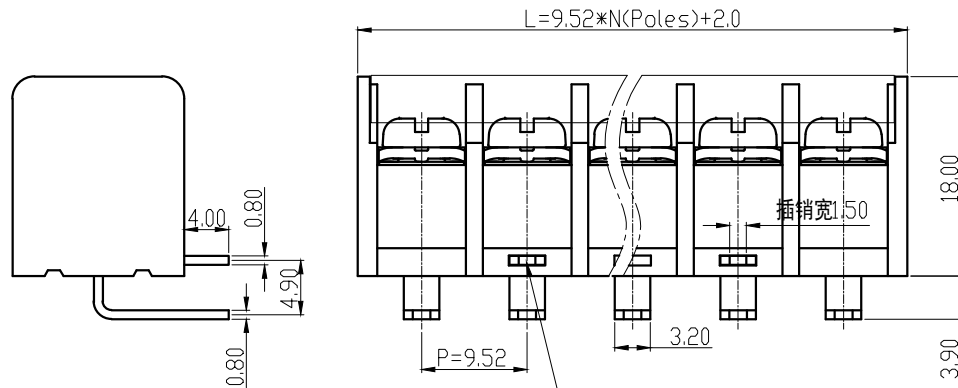
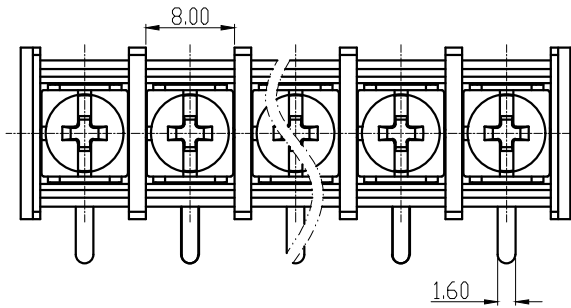
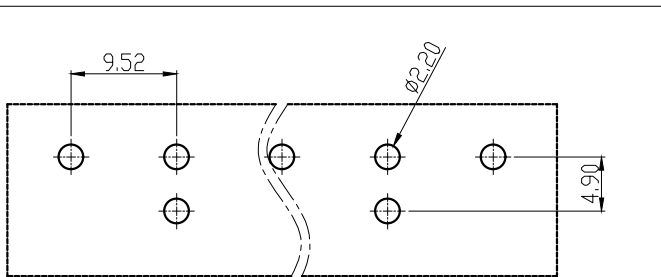
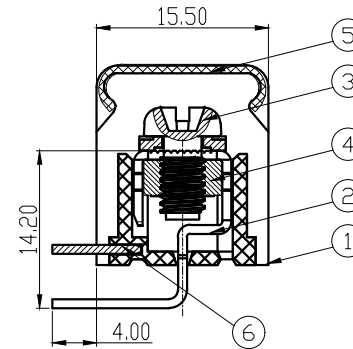


未注线性尺寸公差 Linear dimension tolerances

0~6	6~10	>10~30	>30~60	>60~100	>100~160	>160
±0.2	±0.3	±0.5	±0.7	±1.0	±1.3	±1.6



左起第二位和右起第二位, 各装1PCS插销。



PCB Layout

REV	DESCRIPTION	DRW.	DATE
A	RELEASE		

UL 技术参数				
UL Technical Data				
等级	Use Group	B	C	D
额定电压	Rated Voltage [V]	300	/	300
额定电流	Rated Current [A]	20	/	10
耐电压	Withstanding Voltage [V]	AC 2500V/1Min		
IEC 技术参数				
IEC Technical Data				
过压类别	Overvoltage Category	III	III	II
污染等级	Contamination Class	3	2	2
额定电压	Rated Voltage [V]	500	630	630
额定电流	Rated Current [A]	32	32	32
冲击电压	Rate Impulse Voltage [KV]	6	6	6
一般参数 Other Data				
线径范围	Wire Range [AWG/mm ²]	22~12/0.5~4.0		
剥线长度	Stripping length [mm]	/		
位数范围	Poles	02~24P		
工作温度	Operating temperature [°C]	-40 ~ +105		
螺钉/扭力	Screw / Torque / lbf.in	M4/13		
环保要求	RoHS Compliant	YES		

6	Plug	Brass	SN Plated
5	Cover	PC	/
4	Nut	Steel	NI Plated
3	Screw	Steel	NI Plated
2	Pin Header	Brass	SN Plated
1	Housing	PBT+GF30%	UL94-V0
ITEM	NAME	MATERIAL	NOTES

TYPE	CUSTOMER DRAWING 客户图档	PROJECTION		赋安连电气 FORANY ELECTRIC
DRFT	DATE	UNITS: MM	TITLE BA3-XX-9.52-06-C	
CHKD	DATE	SCALE: 1:1	DWG NO.	
APPD	DATE	SHEET 1 OF 1		