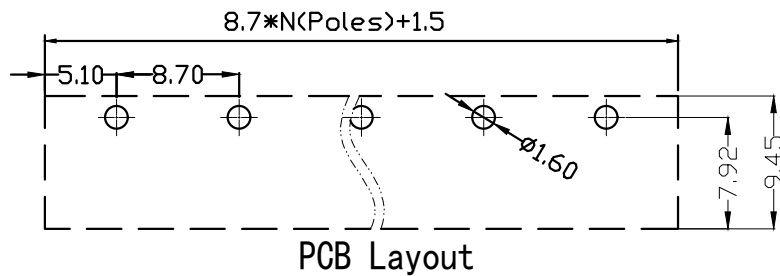
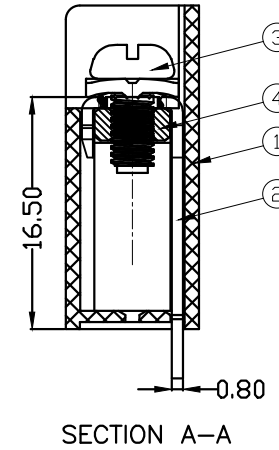
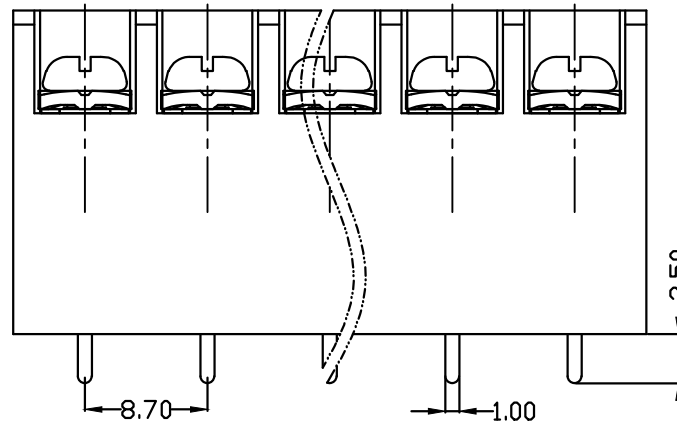
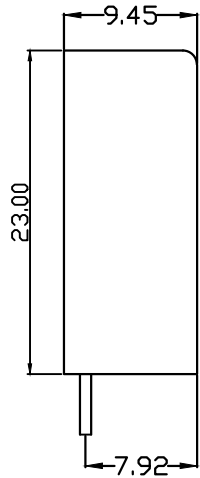
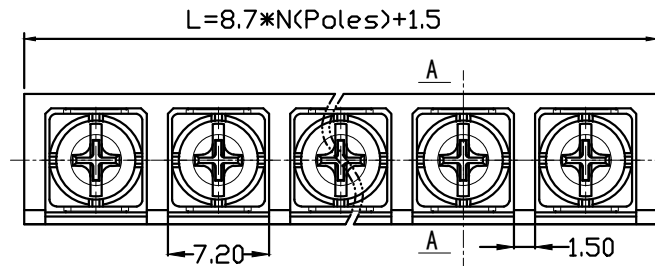


未注线性尺寸公差 Liner dimension tolerances

0~6	6~10	>10~30	>30~60	>60~100	>100~160	>160
±0.2	±0.3	±0.5	±0.7	±1.0	±1.3	±1.6

REV	DESCRIPTION	DRW.	DATE
A	RELEASE		

UL 技术参数				
UL Technical Data				
等级	Use Group	B	C	D
额定电压	Rated Voltage [V]	300	/	300
额定电流	Rated Current [A]	20	/	10
耐电压	Withstanding Voltage [V]	AC 2500V/1Min		
IEC 技术参数				
IEC Technical Data				
过压类别	Overvoltage Category	III	III	II
污染等级	Contamination Class	3	2	2
额定电压	Rated Voltage [V]	400	500	500
额定电流	Rated Current [A]	24	24	24
冲击电压	Rate Impulse Voltage [KV]	6	6	4
一般参数 Other Data				
线径范围	Wire Range [AWG/mm <sup>2</sup> ]	26~12/0.5~2.5		
剥线长度	Stripping length [mm]	/		
位数范围	Poles	2P~14P		
工作温度	Operating temperature [°C]	-40 ~ +105		
螺钉/扭力	Screw / Torque / lbf.in	M3/10		
环保要求	RoHS Compliant	YES		



4	Nut	Steel	NI Plated	LM3六角螺母	1N
3	Screw	Steel	NI Plated	LD302204	1N
2	Pin Header	Brass	SN Plated	BA3-XX-8.70-11长引脚	1N
1	Housing	PA66+GF15%	UL94-V0	BA3-XX-8.70-01外壳	1
ITEM	NAME	MATERIAL	NOTES	PART	QTY

TYPE CUSTOMER DRAWING 客户图档		PROJECTION				<b>赋安连电气</b> FORANY ELECTRIC	
DRFT	刘秀海	DATE	2026.03.15	UNITS: MM	TITLE BA3-XX-8.70-01		
CHKD	曾裕辉	DATE	2026.03.15	SCALE: 1:1	DWG NO.		
APPD	陈柏林	DATE	2026.03.15	SHEET 1 OF 1			