

未注线性尺寸公差 Liner dimension tolerances

| | | | | | | |
|------|------|--------|--------|---------|----------|------|
| 0~6 | 6~10 | >10~30 | >30~60 | >60~100 | >100~160 | >160 |
| ±0.2 | ±0.3 | ±0.5 | ±0.7 | ±1.0 | ±1.3 | ±1.6 |

| REV | DESCRIPTION | DRW. | DATE |
|-----|-------------|------|------|
| A | RELEASE | | |

UL 技术参数
UL Technical Data

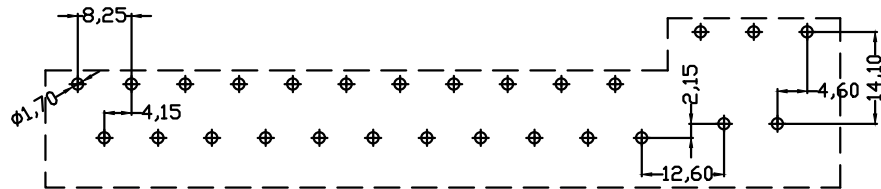
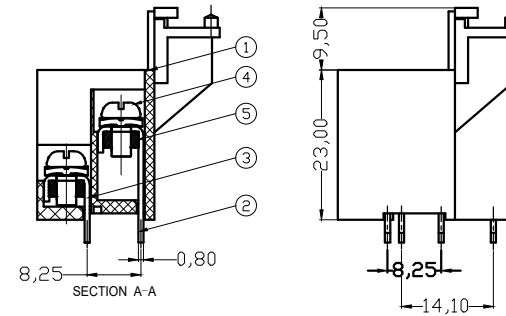
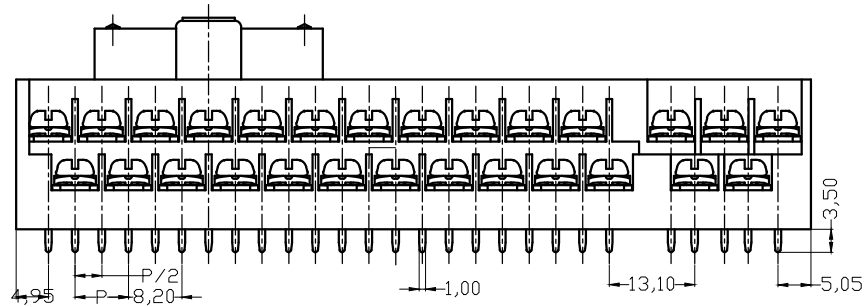
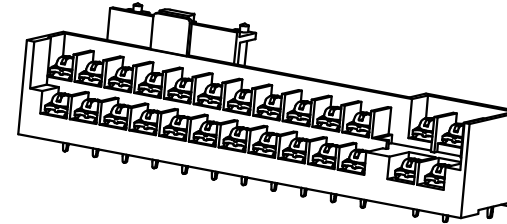
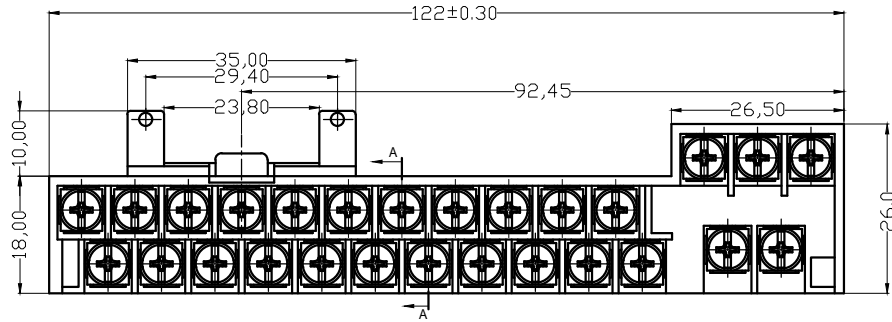
| 等级 | Use Group | B | C | D |
|------|--------------------------|---------------|---|-----|
| 额定电压 | Rated Voltage [V] | 300 | / | 300 |
| 额定电流 | Rated Current [A] | 15 | / | 10 |
| 耐电压 | Withstanding Voltage [V] | AC 2000V/1Min | | |

IEC 技术参数
IEC Technical Data

| 过压类别 | Overvoltage Category | III | III | II |
|------|---------------------------|------|------|------|
| 污染等级 | Contamination Class | 3 | 2 | 2 |
| 额定电压 | Rated Voltage [V] | 250 | 320 | 320 |
| 额定电流 | Rated Current [A] | 17.5 | 17.5 | 17.5 |
| 冲击电压 | Rate Impulse Voltage [KV] | 4 | 4 | 4 |

一般参数 Other Data

| | | |
|-------|-----------------------------------|---------------|
| 线径范围 | Wire Range [AWG/mm ²] | 22~16/0.2~1.5 |
| 剥线长度 | Stripping length [mm] | / |
| 位数范围 | Poles | 27P |
| 工作温度 | Operating temperature [°C] | -40 ~ +105 |
| 螺钉/扭力 | Screw / Torque / lbf.in | M3/10 |
| 环保要求 | RoHS Compliant | YES |



PCB LAYOUT

| 5 | Nut | STEEL | Ni Plated |
|------|-------------|----------|-----------|
| 4 | Screw | STEEL | Ni Plated |
| 3 | Pin header2 | BRASS | SN Plated |
| 2 | Pin header1 | BRASS | SN Plated |
| 1 | Housing | PA66 | UL94-V0 |
| ITEM | NAME | MATERIAL | NOTES |

| | | | |
|------|--------------------------|--------------|------------|
| TYPE | CUSTOMER DRAWING 客户图档 | PROJECTION | |
| DRFT | 刘秀海 | DATE | 2026.03.15 |
| CHKD | 曾裕辉 | DATE | 2026.03.15 |
| APPD | 陈柏林 | DATE | 2026.03.15 |
| | | UNITS: MM | |
| | | SCALE: 1:1 | |
| | | SHEET 1 OF 1 | |

赋安连电气
FORANY ELECTRIC

TITLE: **BA3-27-8. 20-00**

DWG NO.