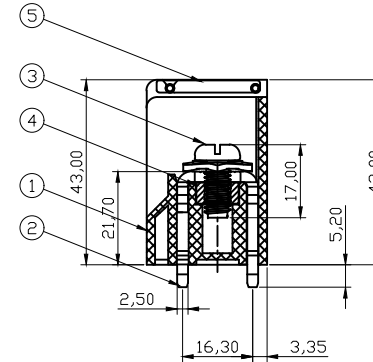
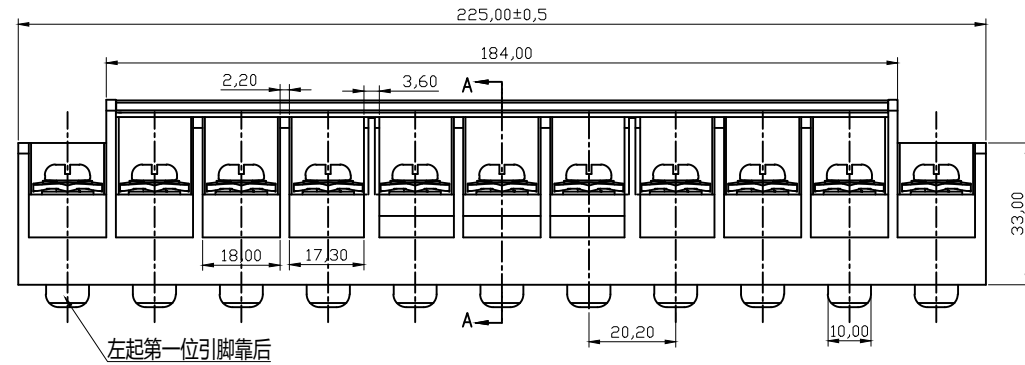
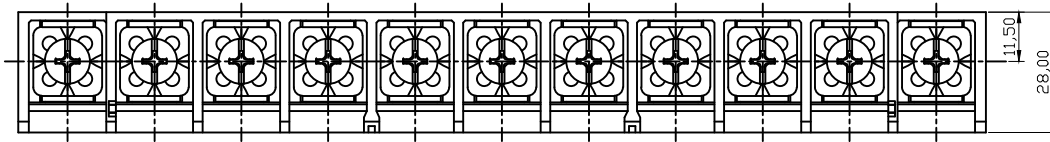


未注线性尺寸公差 Liner dimension tolerances

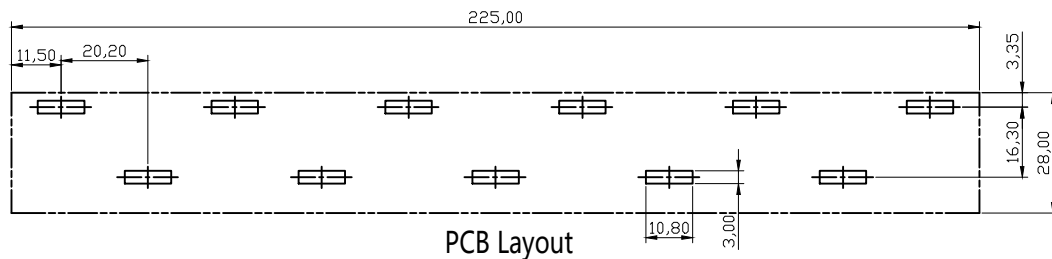
0~6	6~10	>10~30	>30~60	>60~100	>100~160	>160
±0.2	±0.3	±0.5	±0.7	±1.0	±1.3	±1.6

REV	DESCRIPTION	DRW.	DATE
A	RELEASE		

UL 技术参数			
UL Technical Data			
等级	Use Group	B	C D
额定电压	Rated Voltage [V]	600	600 600
额定电流	Rated Current [A]	100	100 5
耐电压	Withstanding Voltage [V]	AC 3000V/1Min	
IEC 技术参数			
IEC Technical Data			
过压类别	Overvoltage Category	III	III II
污染等级	Contamination Class	3	2 2
额定电压	Rated Voltage [V]	800	1000 1000
额定电流	Rated Current [A]	101	101 101
冲击电压	Rate Impulse Voltage [KV]	8	8 6
一般参数 Other Data			
线径范围	Wire Range [AWG/mm ²]	18~3/1.0~25	
剥线长度	Stripping length [mm]	/	
位数范围	Poles	2P~12P	
工作温度	Operating temperature [°C]	-40 ~ +105	
螺钉/扭力	Screw / Torque / lbf.in	M6/30	
环保要求	RoHS Compliant	YES	



SECTION A-A



PCB Layout

5	Cover	PC	/
4	Nut	STEEL	Zn Plated
3	Screw	STEEL	Ni Plated
2	Pin header	BRASS	SN Plated
1	Housing	PA66+GF15%	UL94-V0
ITEM	NAME	MATERIAL	NOTES

TYPE	CUSTOMER DRAWING 客户图档			PROJECTION	
DRFT	刘秀海	DATE	2026.03.15	UNITS: MM	
CHKD	曾裕辉	DATE	2026.03.15	SCALE: 1:1	
APPD	陈柏林	DATE	2026.03.15	SHEET 1 OF 1	

TITLE BA20-11-20.2-07-C	
DWG NO.	