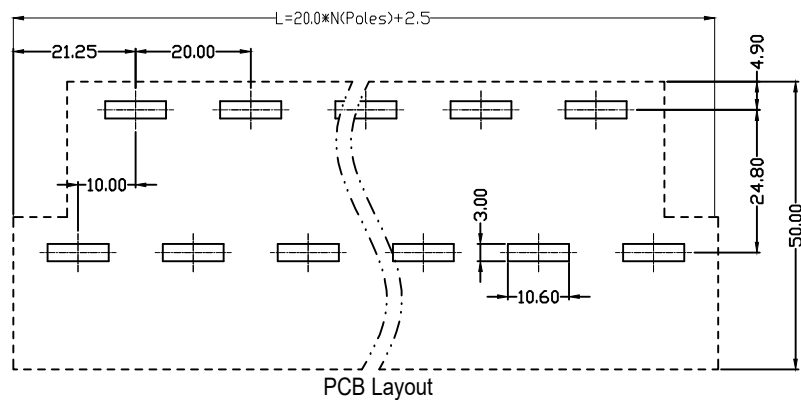
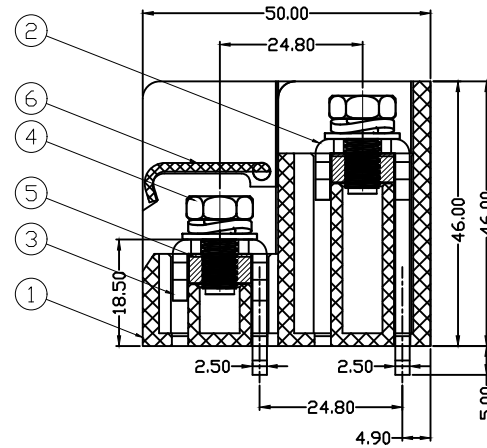
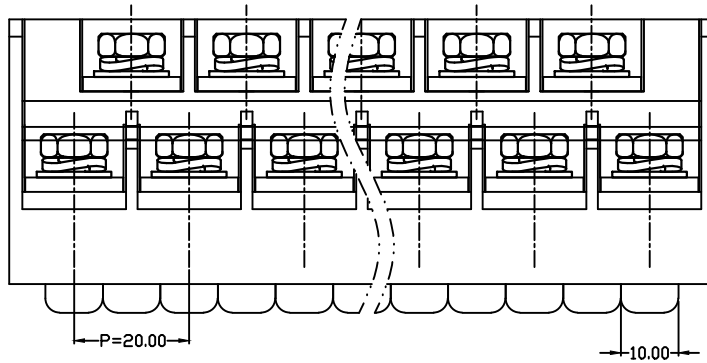
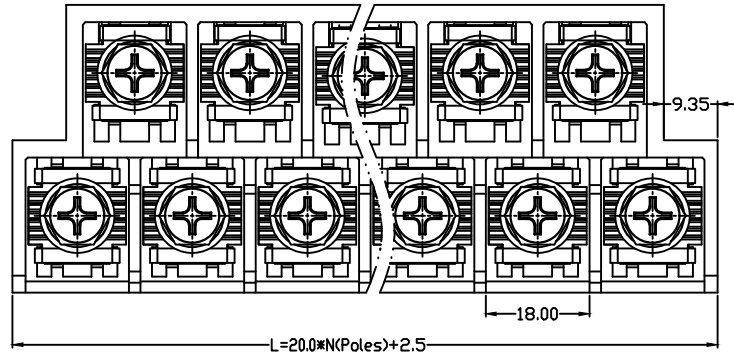


未注线性尺寸公差 Liner dimension tolerances

|      |      |        |        |         |          |      |
|------|------|--------|--------|---------|----------|------|
| 0~6  | 6~10 | >10~30 | >30~60 | >60~100 | >100~160 | >160 |
| ±0.2 | ±0.3 | ±0.5   | ±0.7   | ±1.0    | ±1.3     | ±1.6 |



| REV | DESCRIPTION | DRW. | DATE |
|-----|-------------|------|------|
| A   | RELEASE     |      |      |

|                    |                                   |               |      |      |
|--------------------|-----------------------------------|---------------|------|------|
| UL 技术参数            |                                   |               |      |      |
| UL Technical Data  |                                   |               |      |      |
| 等级                 | Use Group                         | B             | C    | D    |
| 额定电压               | Rated Voltage [V]                 | 600           | 600  | 600  |
| 额定电流               | Rated Current [A]                 | 100           | 100  | 5    |
| 耐电压                | Withstanding Voltage [V]          | AC 3000V/1Min |      |      |
| IEC 技术参数           |                                   |               |      |      |
| IEC Technical Data |                                   |               |      |      |
| 过压类别               | Overtoltage Category              | III           | III  | II   |
| 污染等级               | Contamination Class               | 3             | 2    | 2    |
| 额定电压               | Rated Voltage [V]                 | 800           | 1000 | 1000 |
| 额定电流               | Rated Current [A]                 | 101           | 101  | 101  |
| 冲击电压               | Rate Impulse Voltage [KV]         | 8             | 8    | 6    |
| 一般参数 Other Data    |                                   |               |      |      |
| 线径范围               | Wire Range [AWG/mm <sup>2</sup> ] | 18~3/1.0~25   |      |      |
| 剥线长度               | Stripping length [mm]             | /             |      |      |
| 位数范围               | Poles                             | 2P~12P        |      |      |
| 工作温度               | Operating temperature [°C]        | -40 ~ +105    |      |      |
| 螺钉/扭力              | Screw / Torque / lbf.in           | M6/30         |      |      |
| 环保要求               | RoHS Compliant                    | YES           |      |      |

|      |              |            |           |
|------|--------------|------------|-----------|
| 6    | Cover        | PC         | UL94-V2   |
| 5    | Nut          | C1018A     | Zn Plated |
| 4    | Screw        | C1018A     | Ni Plated |
| 3    | Pin header 2 | H62 (Y2)   | SN Plated |
| 2    | Pin header 1 | H62 (Y2)   | SN Plated |
| 1    | Housing      | PA66+GF15% | UL94-V0   |
| ITEM | NAME         | MATERIAL   | NOTES     |

|                          |     |            |            |           |        |
|--------------------------|-----|------------|------------|-----------|--------|
| TYPE                     |     | PROJECTION |            | UNITS: MM |        |
| CUSTOMER DRAWING<br>客户图档 |     | PROJECTION |            | UNITS: MM |        |
| DRFT                     | 刘秀海 | DATE       | 2026.03.15 | SCALE:    | 1:1    |
| CHKD                     | 曾裕辉 | DATE       | 2026.03.15 | SHEET     | 1 OF 1 |
| APPD                     | 陈柏林 | DATE       | 2026.03.15 |           |        |

|  |  |          |                   |
|--|--|----------|-------------------|
|  |  | TITLE    | BA20-XX-20.0-11-C |
|  |  | DRW. NO. |                   |