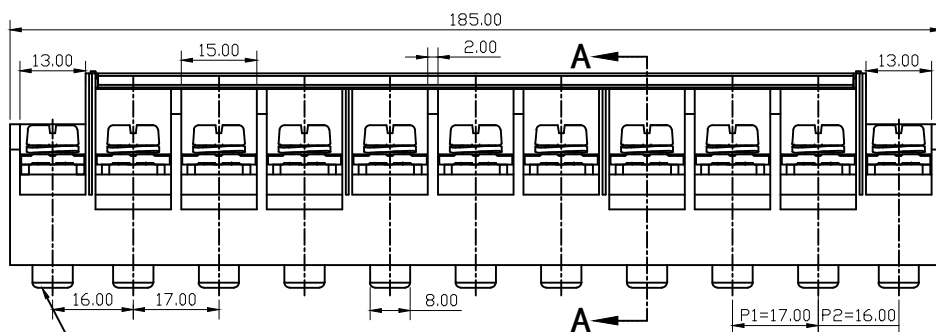
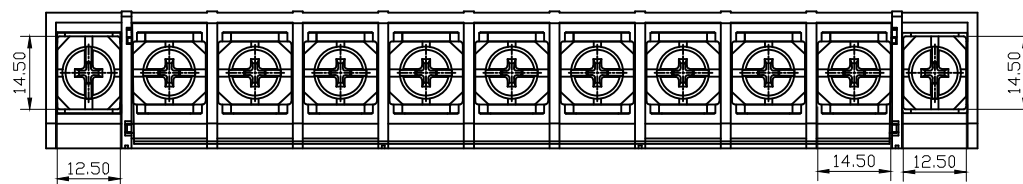
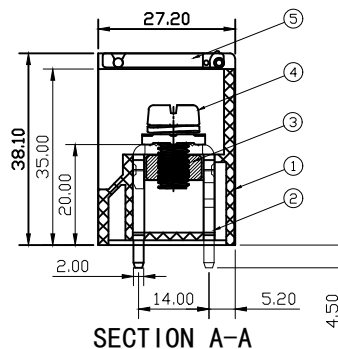


未注线性尺寸公差 Liner dimension tolerances						
0~6	6~10	>10~30	>30~60	>60~100	>100~160	>160
±0.2	±0.3	±0.5	±0.7	±1.0	±1.3	±1.6

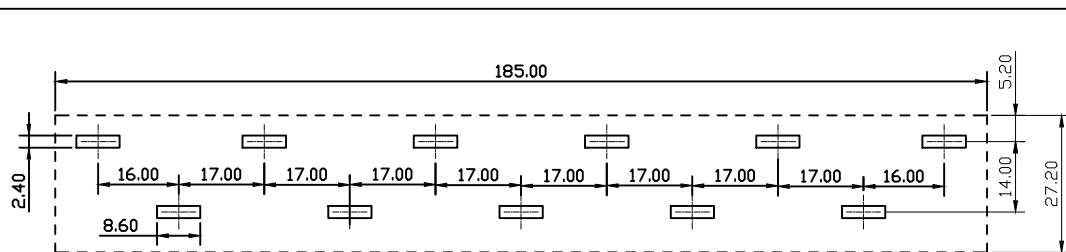
REV	DESCRIPTION	DRW.	DATE
A	RELEASE		



左起第一位引脚靠后排



UL 技术参数 UL Technical Data				
等级	Use Group	B	C	D
额定电压	Rated Voltage [V]	600	/	600
额定电流	Rated Current [A]	65	/	5
耐电压	Withstanding Voltage [V]	AC 3000V/1Min		
IEC 技术参数 IEC Technical Data				
过压类别	Overvoltage Category	III	III	II
污染等级	Contamination Class	3	2	2
额定电压	Rated Voltage [V]	800	1000	1000
额定电流	Rated Current [A]	76	76	76
冲击电压	Rate Impulse Voltage [KV]	8	8	6
一般参数 Other Data				
线径范围	Wire Range [AWG/mm ²]	18~6/0.5~16.0		
剥线长度	Stripping length [mm]	/		
位数范围	Poles	11P		
工作温度	Operating temperature [°C]	-40 ~ +105		
螺钉/扭力	Screw / Torque / lbf.in	M6/30		
环保要求	RoHS Compliant	YES		



PCB Layout

ITEM	NAME	MATERIAL	NOTES
5	Pin header	BRASS	SN Plated
4	Screw	Steel	Ni Plated
3	Nut	C1018A	Zn Plated
2	cover	PC	UL94-V2
1	Housing	PA66+GF15%	UL94-V0

TYPE		CUSTOMER DRAWING 客户图档		PROJECTION	
DRFT	刘秀海	DATE	2026.03.15	UNITS: MM	
CHKD	曾裕辉	DATE	2026.03.15	SCALE: 1:1	
APPD	陈柏林	DATE	2026.03.15	SHEET 1 OF 1	

TITLE	
赋安连电气 FORANY ELECTRIC	
BA20-11-17.0-05-C	
DWG NO.	