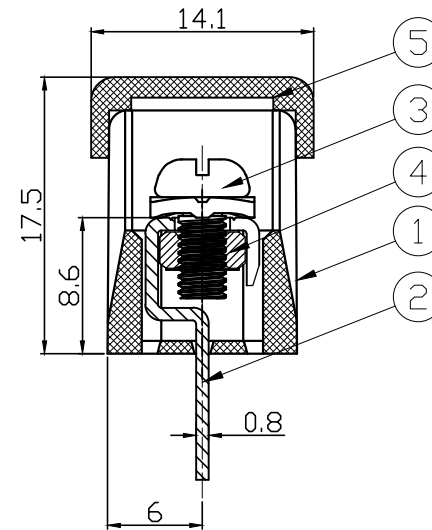
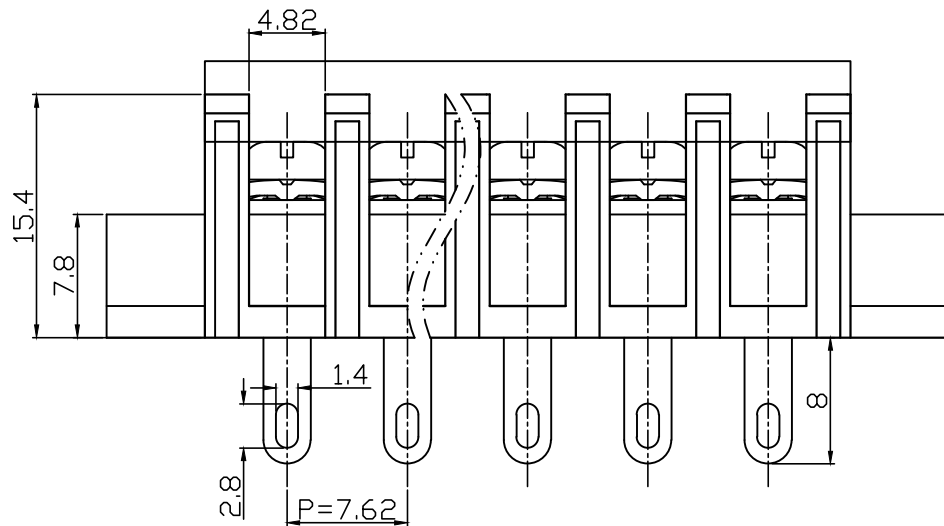
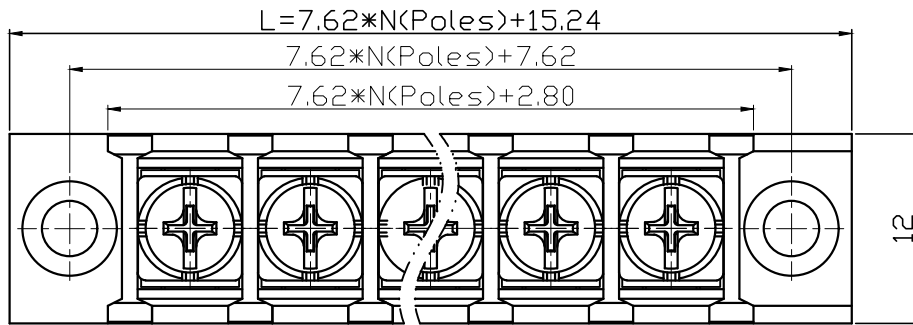


未注线性尺寸公差 Liner dimension tolerances

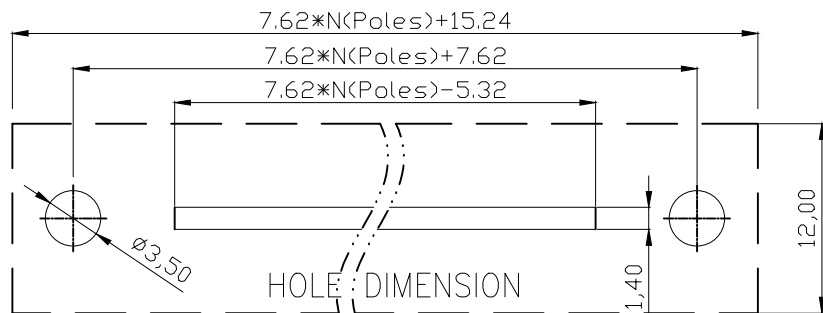
$0 \frac{3}{8}$	$6 \frac{1}{16} 0$	$>10 \frac{3}{16} 0$	$>30 \frac{3}{8} 0$	$>60 \frac{1}{16} 00$	$>100 \frac{1}{16} 60$	$>160$
$\pm 0.2$	$\pm 0.3$	$\pm 0.5$	$\pm 0.7$	$\pm 1.0$	$\pm 1.3$	$\pm 1.6$

REV	DESCRIPTION	DRW.	DATE
A	RELEASE		



UL 技术参数			
UL Technical Data			
等级	Use Group	B	C D
额定电压	Rated Voltage [V]	300	300
额定电流	Rated Current [A]	15	10
耐电压	Withstanding Voltage [V]	AC 2000V/1Min	
IEC 技术参数			
IEC Technical Data			
过压类别	Overvoltage Category	III	III II
污染等级	Contamination Class	3	2 2
额定电压	Rated Voltage [V]	320	400 400
额定电流	Rated Current [A]	24	24 24
冲击电压	Rate Impulse Voltage [KV]	4	4 4
一般参数 Other Data			
线径范围	Wire Range [AWG/mm <sup>2</sup> ]	22~14/0.2~2.5	
剥线长度	Stripping length [mm]	8~10	
位数范围	Poles	02~24P	
工作温度	Operating temperature [°C]	-40 ~ +105	
螺钉/扭力	Screw / Torque /lbf.in	M3/10	
环保要求	RoHS Compliant	YES	

5	Cover	PC	UL94-V2
4	Nut	Steel	NI Plated
3	Screw	Steel	NI Plated
2	Pin Header	Brass	SN Plated
1	Housing	PBT	UL94-V0
ITEM	NAME	MATERIAL	NOTES



TYPE CUSTOMER DRAWING 客户图档		PROJECTION			
DRFT	刘秀海	DATE	2026.03.15	UNITS: MM	TITLE BA1.5-XX-7.62-19F-C装配图
CHKD	曾裕辉	DATE	2026.03.15	SCALE: 1:1	
APPD	陈柏林	DATE	2026.03.15	SHEET 1 OF 1	
DWG NO.					

**赋安连电气**  
FORANY ELECTRIC