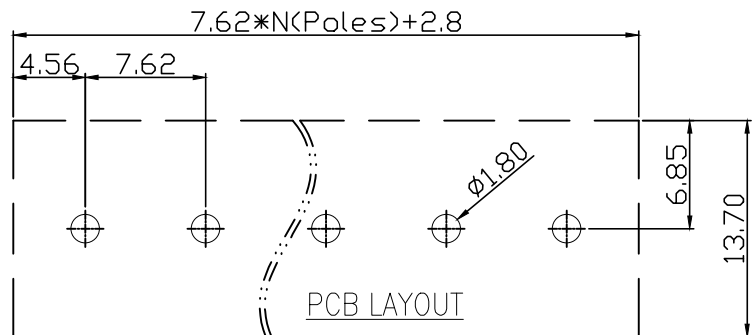
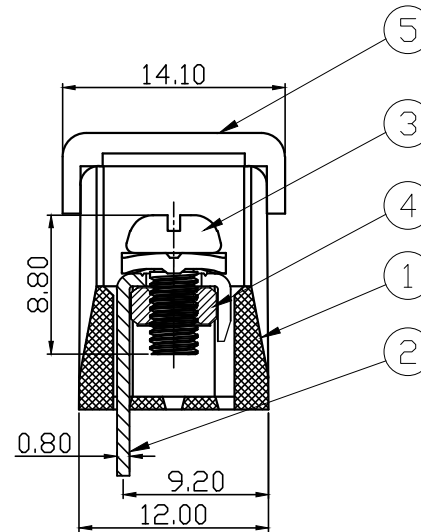
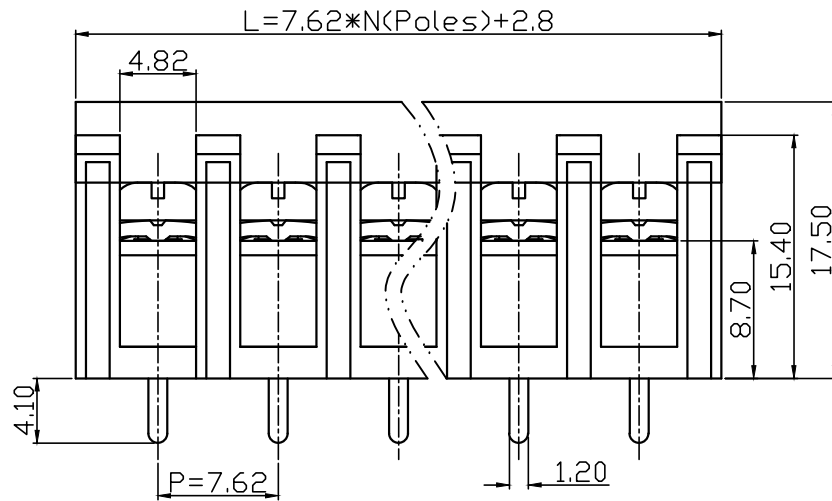
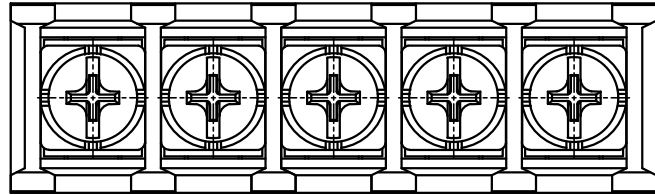


未注线性尺寸公差 Liner dimension tolerances

$0 \frac{3}{8}$	$6 \frac{1}{16} 0$	$>10 \frac{3}{16} 0$	$>30 \frac{3}{8} 0$	$>60 \frac{1}{16} 0 0$	$>100 \frac{1}{16} 6 0$	$>160$
$\pm 0.2$	$\pm 0.3$	$\pm 0.5$	$\pm 0.7$	$\pm 1.0$	$\pm 1.3$	$\pm 1.6$



REV	DESCRIPTION	DRW.	DATE
A	RELEASE		

UL 技术参数				
UL Technical Data				
等级	Use Group	B	C	D
额定电压	Rated Voltage [V]	300	300	300
额定电流	Rated Current [A]	15	15	10
耐电压	Withstanding Voltage [V]	AC 2000V/1Min		
IEC 技术参数				
IEC Technical Data				
过压类别	Overvoltage Category	III	III	II
污染等级	Contamination Class	3	2	2
额定电压	Rated Voltage [V]	320	400	400
额定电流	Rated Current [A]	24	24	24
冲击电压	Rate Impulse Voltage [KV]	4	4	4
一般参数 Other Data				
线径范围	Wire Range [AWG/mm <sup>2</sup> ]	22~14/0.2~2.5		
剥线长度	Stripping length [mm]	6~9		
位数范围	Poles	02~24P		
工作温度	Operating temperature [°C]	-40 ~ +105		
螺钉/扭力	Screw / Torque / lbf.in	M3/10		
环保要求	RoHS Compliant	YES		

5	Cover	PC	UL94-V0
4	Nut	Steel	NI Plated
3	Screw	Steel	NI Plated
2	Pin Header	Brass	SN Plated
1	Housing	PA66	UL94-V0
ITEM	NAME	MATERIAL	NOTES

TYPE		PROJECTION	
CUSTOMER DRAWING 客户图档			
DRFT	刘秀海	DATE	2026.03.15
CHKD	曾裕辉	DATE	2026.03.15
APPD	陈柏林	DATE	2026.03.15

**赋安连电气**  
FORANY ELECTRIC

TITLE  
**BA1.5-XX-7.62-17-C装配图**

DWG.NO