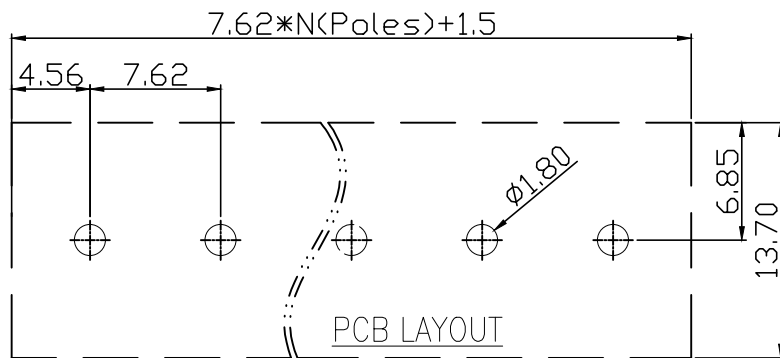
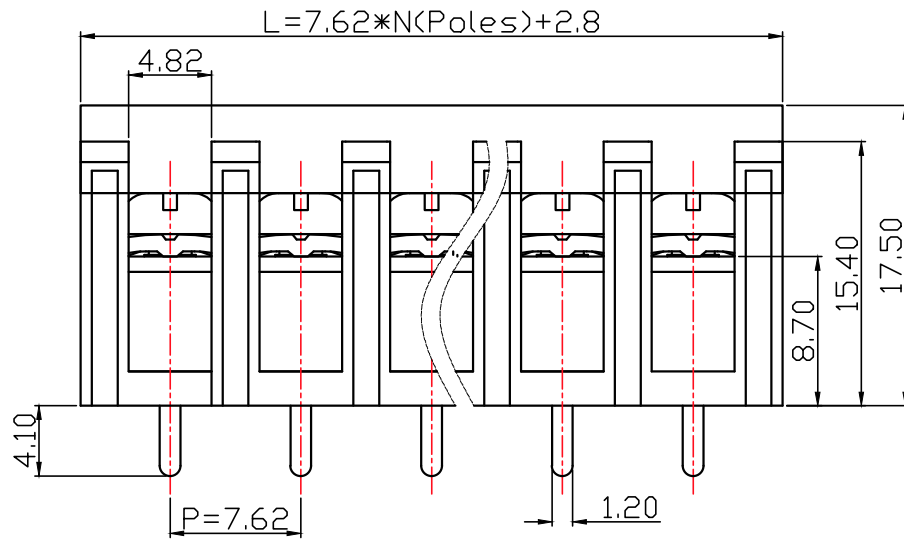
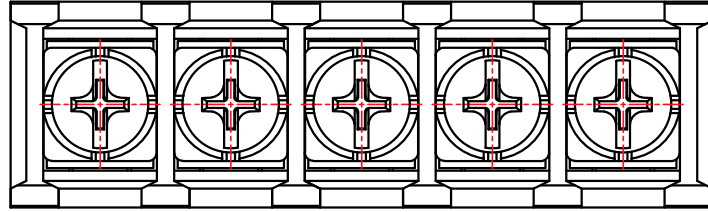


未注线性尺寸公差 Liner dimension tolerances

$0 \frac{3}{8}$	$6 \frac{1}{16} 0$	$>10 \frac{3}{16} 0$	$>30 \frac{3}{8} 0$	$>60 \frac{1}{16} 0 0$	$>100 \frac{1}{16} 60$	>160
± 0.2	± 0.3	± 0.5	± 0.7	± 1.0	± 1.3	± 1.6



REV	DESCRIPTION	DRW.	DATE
A	RELEASE		

UL 技术参数

UL Technical Data

等级	Use Group	B	C	D
额定电压	Rated Voltage [V]	300	300	300
额定电流	Rated Current [A]	15	15	10
耐电压	Withstanding Voltage [V]	AC 2000V/1Min		

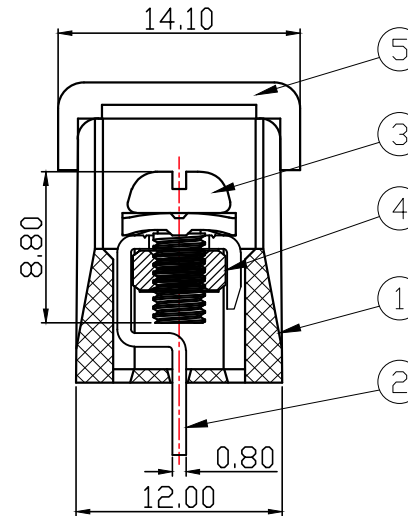
IEC 技术参数

IEC Technical Data

过压类别	Overvoltage Category	III	III	II
污染等级	Contamination Class	3	2	2
额定电压	Rated Voltage [V]	320	400	400
额定电流	Rated Current [A]	24	24	24
冲击电压	Rate Impulse Voltage [KV]	4	4	4

一般参数 Other Data

线径范围	Wire Range [AWG/mm ²]	22~14/0.2~2.5
剥线长度	Stripping length [mm]	6~9
位数范围	Poles	02~24P
工作温度	Operating temperature [°C]	-40 ~ +105
螺钉/扭力	Screw / Torque / lb.in	M3/10
环保要求	RoHS Compliant	YES



5	Cover	PC	UL94-V0
4	Nut	Steel	NI Plated
3	Screw	Steel	NI Plated
2	Pin Header	Brass	SN Plated
1	Housing	PA66	UL94-V0
ITEM	NAME	MATERIAL	NOTES

TYPE CUSTOMER DRAWING 客户图档		PROJECTION 	
DRFT	刘秀海	DATE	2026.03.15
CHKD	曾裕辉	DATE	2026.03.15
APPD	陈柏林	DATE	2026.03.15

赋安连电气
FORANY ELECTRIC

TITLE
BA1.5-XX-7.62-16-C装配图

DWG.NO