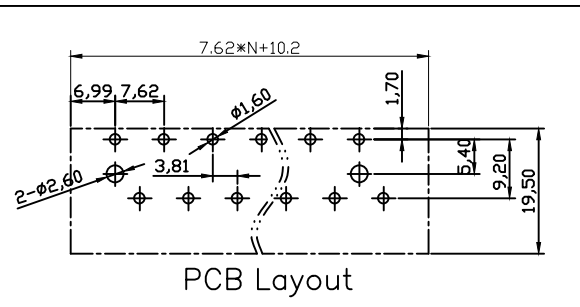
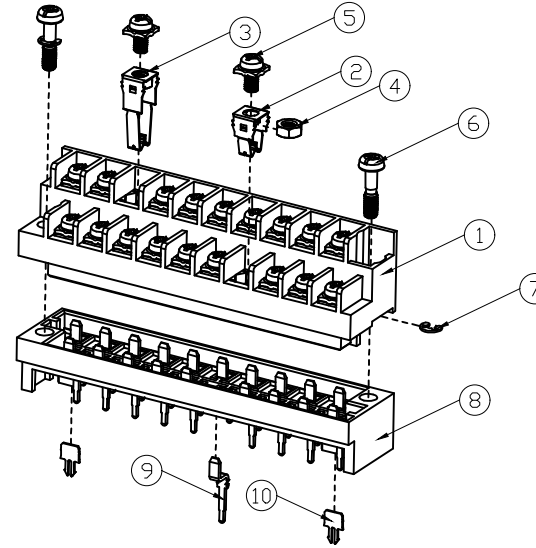
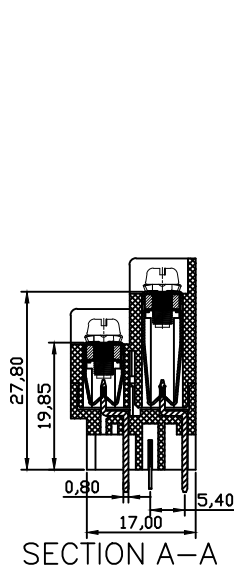
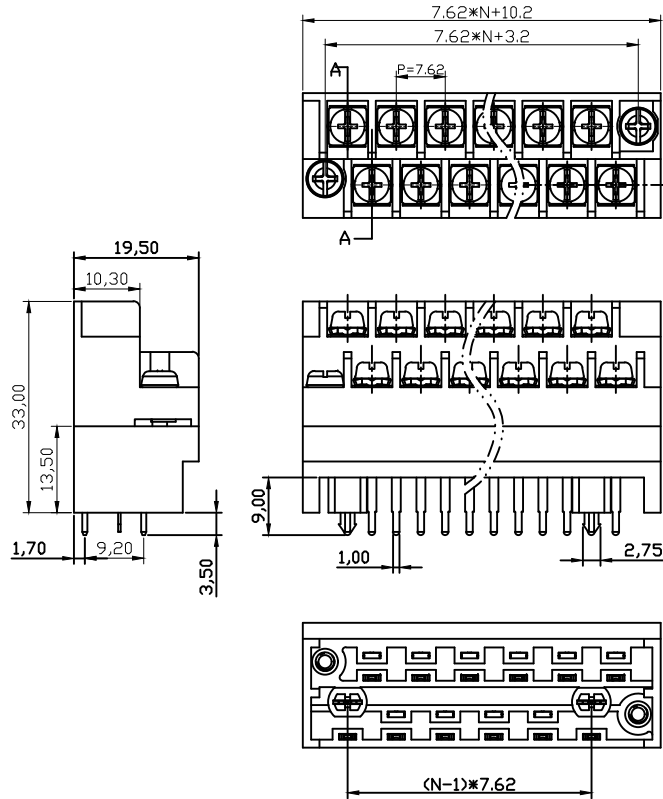


未注线性尺寸公差 Liner dimension tolerances

0~6	6~10	>10~30	>30~60	>60~100	>100~160	>160
±0.2	±0.3	±0.5	±0.7	±1.0	±1.3	±1.6

REV	DESCRIPTION	DRW.	DATE
A	RELEASE		

UL 技术参数			
UL Technical Data			
等级 Use Group	B	C	D
额定电压 Rated Voltage [V]	300	300	
额定电流 Rated Current [A]	15	10	
耐电压 Withstanding Voltage [V]	AC 2000V/1Min		
IEC 技术参数			
IEC Technical Data			
过压类别 Overvoltage Category	III	III	II
污染等级 Contamination Class	3	2	2
额定电压 Rated Voltage [V]	250	400	400
额定电流 Rated Current [A]	13.5	13.5	13.5
冲击电压 Rate Impulse Voltage [KV]	4	6	4
一般参数 Other Data			
线径范围 Wire Range [AWG/mm <sup>2</sup> ]	22~14/0.2~1.0		
剥线长度 Stripping length [mm]	8-9		
位数范围 Poles	04~24P		
工作温度 Operating temperature [°C]	-40 ~ +105		
螺钉/扭力 Screw / Torque /lbf.in	M3/10		
环保要求 RoHS Compliant	YES		



10	Plate	Brass	SN Plated
9	Pin Header	Brass	Gold Plated
8	Housing 2	PBT+GF30%	UL94-V0
7	E-ring circlip	Steel	NI Plated
6	Screw 2	Steel	NI Plated
5	Screw 1	Steel	NI Plated
4	Nut	Steel	NI Plated
3	Pin Header 2	Brass	SN Plated
2	Pin Header 1	Brass	SN Plated
1	Housing 1	PBT+GF30%	UL94-V0
ITEM	NAME	MATERIAL	NOTES

TYPE CUSTOMER DRAWING 客户图档		PROJECTION				<b>赋安连电气</b> FORANY ELECTRIC TITLE <b>BA1.5-XX-7.62-09</b> DWG NO.
DRFT	刘秀海	DATE	2026.03.15	UNITS: MM		
CHKD	曾裕辉	DATE	2026.03.15	SCALE: 1:1		
APPD	陈柏林	DATE	2026.03.15	SHEET 1 OF 1		