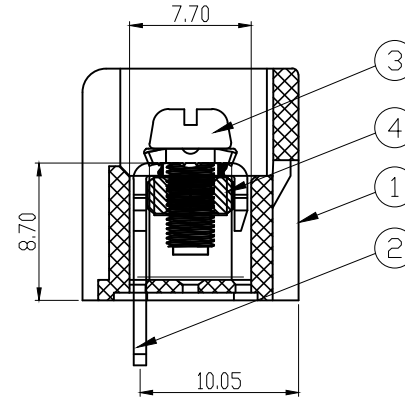
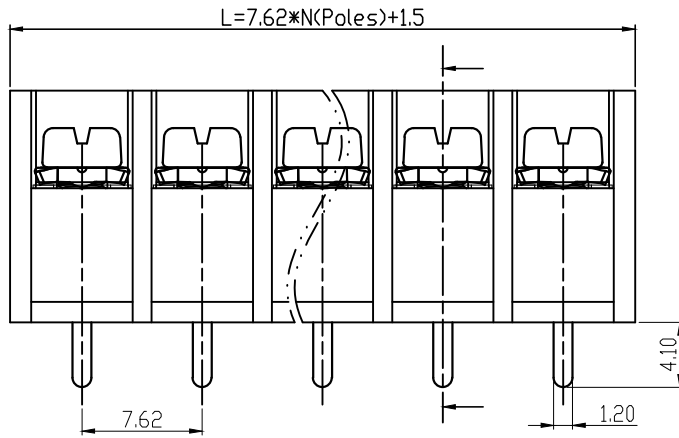
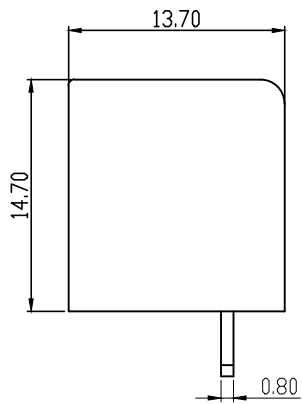
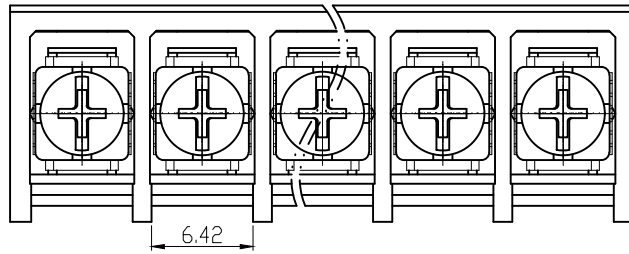


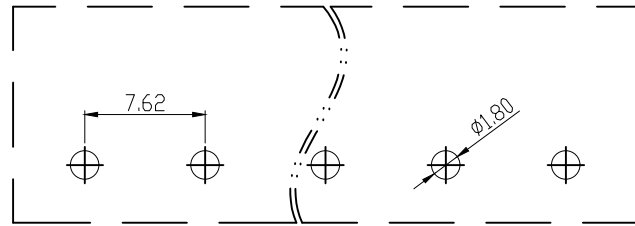
未注线性尺寸公差 Liner dimension tolerances

—						∕		⊥	
0~6	6~10	>10~30	>30~60	>60~100	>100~160	>160	0~10	>10~100	>100
±0.2	±0.3	±0.5	±0.7	±1.0	±1.3	±1.6	±0.1	±0.3	±0.6

REV	DESCRIPTION	DRW.	DATE
A	RELEASE		



UL 技术参数			
UL Technical Data			
等级 Use Group	B	C	D
额定电压 Rated Voltage [V]	300	/	300
额定电流 Rated Current [A]	15	/	10
耐电压 Withstanding Voltage [V]	AC 2000V/1Min		
IEC 技术参数			
IEC Technical Data			
过压类别 Overvoltage Category	III	III	II
污染等级 Contamination Class	3	2	2
额定电压 Rated Voltage [V]	320	400	400
额定电流 Rated Current [A]	24	24	24
冲击电压 Rate Impulse Voltage [KV]	4	4	4
一般参数 Other Data			
线径范围 Wire Range [AWG/mm ²]	22~14/0.2~2.5		
剥线长度 Stripping length [mm]	6~9		
位数范围 Poles	02~24P		
工作温度 Operating temperature [°C]	-40 ~ +105		
螺钉/扭力 Screw / Torque / lbf.in	M3/10		
环保要求 RoHS Compliant	YES		



PCB Layout

4	Nut	Steel	NI Plated
3	Screw	Steel	NI Plated
2	Pin Header	Brass	SN Plated
1	Housing	PBT+GF30%	UL94-V0
ITEM	NAME	MATERIAL	NOTES

TYPE CUSTOMER DRAWING 客户图档		PROJECTION 	
DRFT	刘秀海	DATE	2026.03.15
CHKD	曾裕辉	DATE	2026.03.15
APPD	陈柏林	DATE	2026.03.15

TITLE BA1.5-XX-7.62-02D	
DWG.NO	