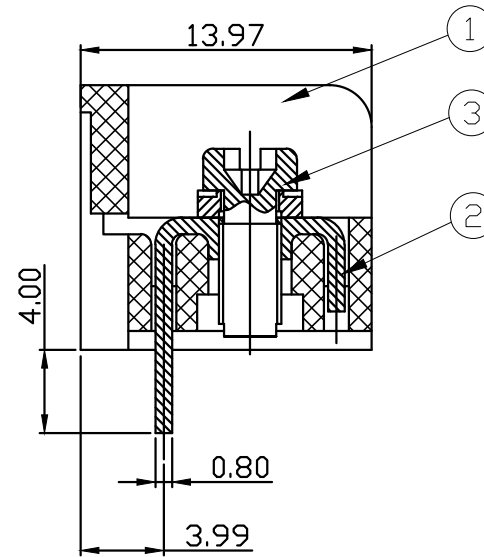
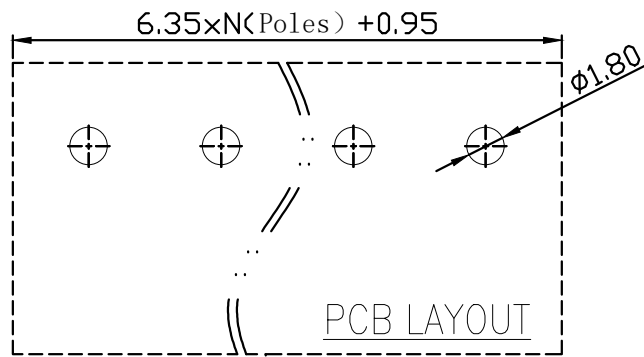
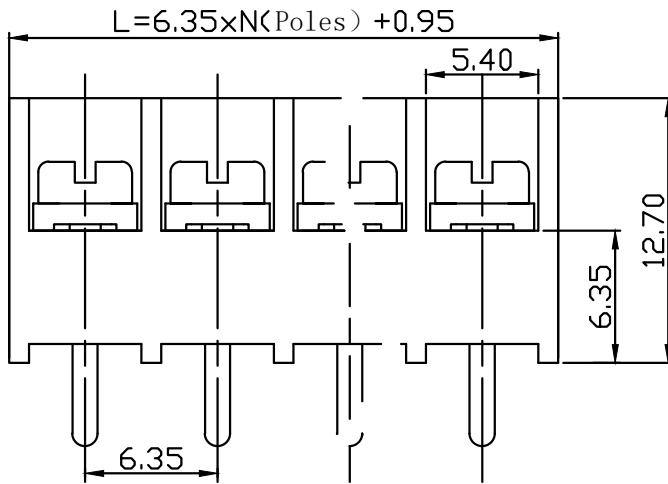
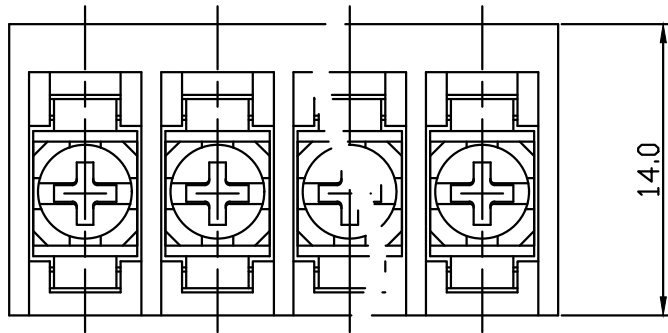


未注线性尺寸公差 Liner dimension tolerances

0~6	6~10	>10~30	>30~60	>60~100	>100~160	>160
±0.2	±0.3	±0.5	±0.7	±1.0	±1.3	±1.6



REV	DESCRIPTION	DRW.	DATE
A	RELEASE		

UL 技术参数
UL Technical Data

等级	Use Group	B	C	D
额定电压	Rated Voltage [V]	300	/	300
额定电流	Rated Current [A]	15	/	10
耐电压	Withstanding Voltage [V]	AC 2000V/1Min		

IEC 技术参数
IEC Technical Data

过压类别	Overvoltage Category	III	III	II
污染等级	Contamination Class	3	2	2
额定电压	Rated Voltage [V]	250	400	400
额定电流	Rated Current [A]	24	24	24
冲击电压	Rate Impulse Voltage [KV]	4	4	4

一般参数 Other Data

线径范围	Wire Range [AWG/mm ²]	22~14/0.2~2.5
剥线长度	Stripping length [mm]	6~9
位数范围	Poles	02~24P
工作温度	Operating temperature [°C]	-40 ~ +105
螺钉/扭力	Screw / Torque / lbf.in	M3/7
环保要求	RoHS Compliant	YES

3	Screw	Steel	NI Plated
2	Pin Header	Brass	SN Plated
1	Housing	PA66GF	UL94-V0
ITEM	NAME	MATERIAL	NOTES

TYPE		PROJECTION	
CUSTOMER DRAWING 客户图档			
DRFT	刘秀海	DATE	2026.03.15
CHKD	曾裕辉	DATE	2026.03.15
APPD	陈柏林	DATE	2026.03.15

赋安连电气
FORANY ELECTRIC

TITLE
BA1.5-XX-6.35-05

DWG.NO