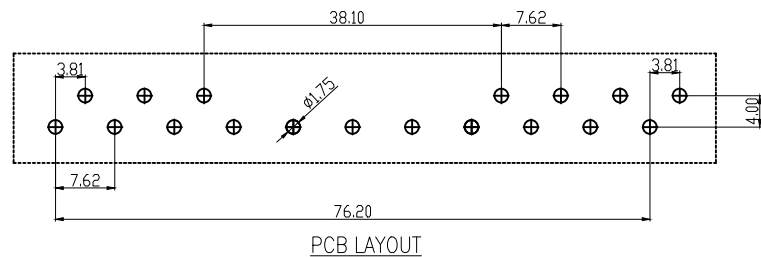
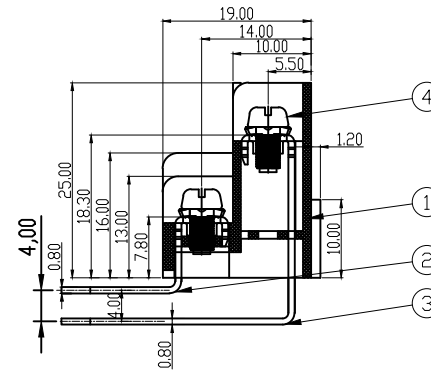
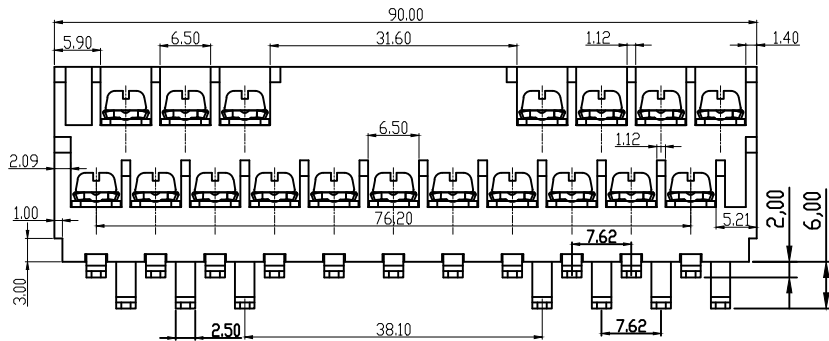
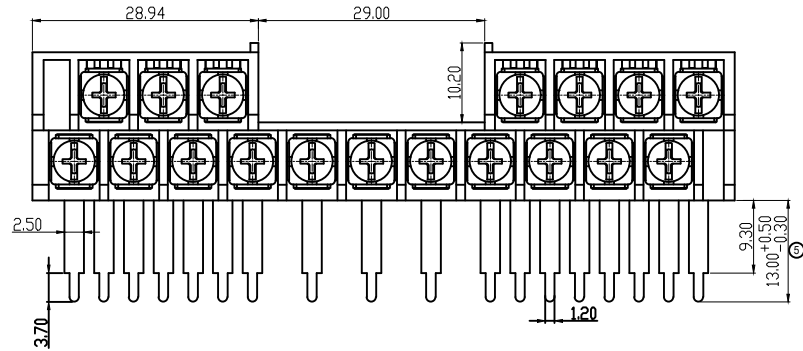


未注线性尺寸公差 Liner dimension tolerances

0~6	6~10	>10~30	>30~60	>60~100	>100~160	>160
±0.2	±0.3	±0.5	±0.7	±1.0	±1.3	±1.6



PCB LAYOUT

REV	DESCRIPTION	DRW.	DATE
A	RELEASE		

UL 技术参数			
UL Technical Data			
等级	Use Group	B	C D
额定电压	Rated Voltage [V]	300	300
额定电流	Rated Current [A]	15	10
耐电压	Withstanding Voltage [V]	AC 2000V/1Min	
IEC 技术参数			
IEC Technical Data			
过压类别	Overvoltage Category	III	III II
污染等级	Contamination Class	3	2 2
额定电压	Rated Voltage [V]	250	400 400
额定电流	Rated Current [A]	24	24 24
冲击电压	Rate Impulse Voltage [KV]	4	4 4
一般参数 Other Data			
线径范围	Wire Range [AWG/mm ²]	22~14/0.2~2.5	
剥线长度	Stripping length [mm]	8-9	
位数范围	Poles	18P	
工作温度	Operating temperature [°C]	-40 ~ +105	
螺钉/扭力	Screw / Torque / lbf.in	M3/7	
环保要求	RoHS Compliant	YES	

4	Screw	Steel	NI Plated
3	Pin Header 2	Brass	SN Plated
2	Pin Header 1	Brass	SN Plated
1	Housing	PA66	UL94-V0
ITEM	NAME	MATERIAL	NOTES

TYPE	CUSTOMER DRAWING	PROJECTION			 赋安连电气 FORANY ELECTRIC TITLE BA1.5-18-7.62-11装配图 DWG NO.
DRFT	刘秀海	DATE	2026.03.15	UNITS: MM	
CHKD	曾裕辉	DATE	2026.03.15	SCALE: 1:1	
APPD	陈柏林	DATE	2026.03.15	SHEET 1 OF 1	